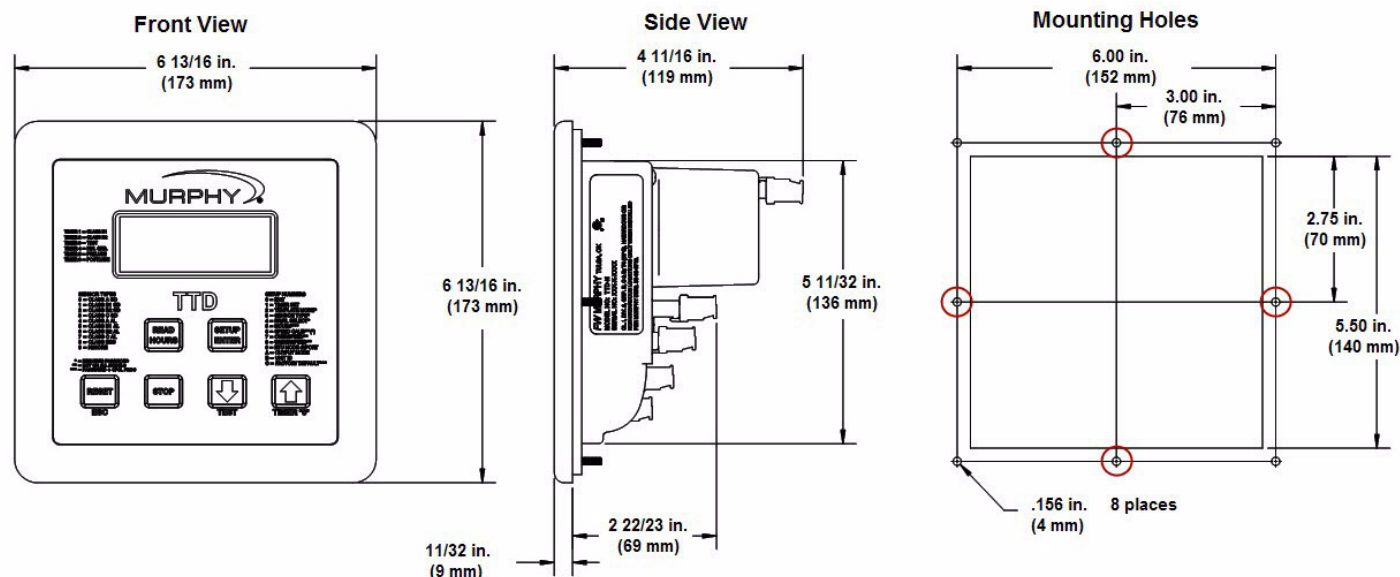


TTD™ Display Head (NEMA)



Special Considerations:

1. When installed per Murphy installation instructions, the new designed TTD display is NEMA 4 rated.
2. The hole cutout above is a tighter diameter requirement for the NEMA 4 rating. Existing holes may be larger and could void the gasket/surface requirement for the NEMA 4 rating.
3. Installation of the NEMA 4 TTD will not necessarily change the NEMA rating of your control panel. The design of the control panel must be rated for NEMA 4 applications.
4. Mounting studs for the locations circled above can be removed (if necessary) when replacing the original designed bezel for the TTD (not NEMA rated). If replacing the original designed TTD head, be aware that the removal of these studs will VOID the NEMA 4 rating of the new designed Display.
5. Removal of studs (if necessary) will **NOT** void any warranty.
6. Stud tightening pattern should be followed as stated: Top left corner, Bottom right corner, Top right corner, Bottom left corner, Top center, Bottom center, Right center, Left center.
7. Tighten holding nuts to 9 in. / lbs.

RJ Mann & Associates Inc.

Engine Controls & Panels/Compressor Parts

860 North 9th Avenue, Brighton, CO 80603
 Ph: (303) 659-5139 Fax: (303) 659-5309
www.rjmann.com