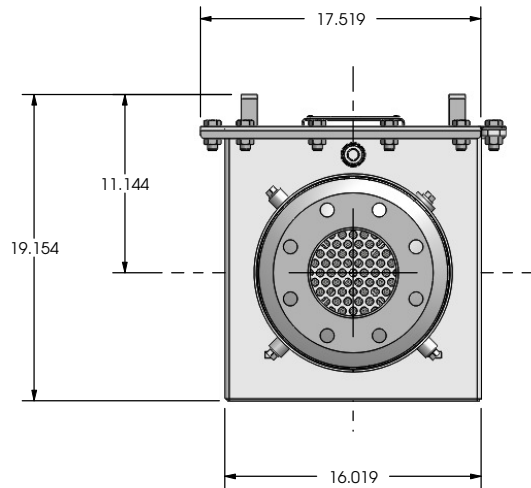
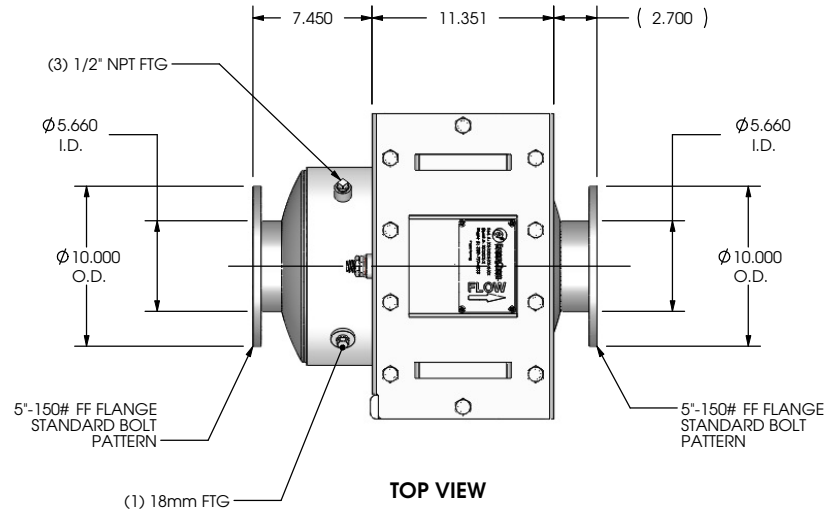
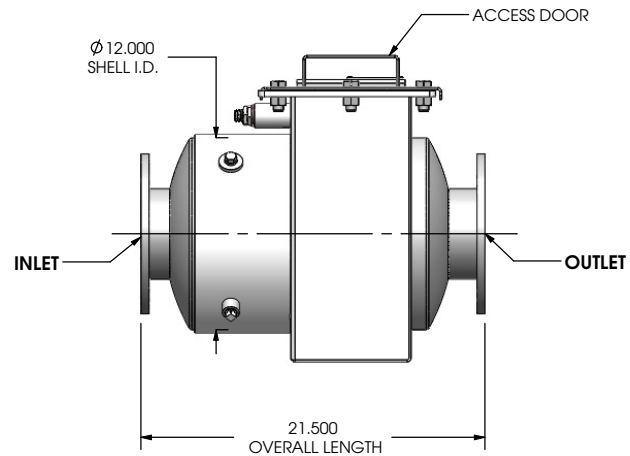


**DIMETRIC VIEW**



**FRONT VIEW**



**RIGHT VIEW**


**NOTES:**

- WEIGHT IS APPROXIMATE WITH (1) ELEMENT
- SINGLE ELEMENT HOUSING
- THIS EQUIPMENT SHALL BE SUPPORTED SUCH THAT NO MOMENTS OR FORCES ARE ON THE INLET AND OUTLET FLANGES

DRAWN	JU	DATE	8/8/2011
ENGINEER	-	DATE	-
APPROVED	-	DATE	-

**PROPRIETARY AND CONFIDENTIAL**

THIS DRAWING CONTAINS PROPRIETARY INFORMATION WHICH IS TO BE HELD CONFIDENTIAL AND MAY NOT BE REPRODUCED OR DISCLOSED TO OTHERS WITHOUT THE PRIOR WRITTEN CONSENT OF EMERACHEM OR A DULY AUTHORIZED REPRESENTATIVE THEREOF.



DRAWING CD-EC-1200-05-S-XX SD REV **0**

**CD-EC-1200-05-S-XX SALES DRAWING**

WEIGHT: 109 lb APPROX. SCALE 1:12 SHEET 1 OF 1