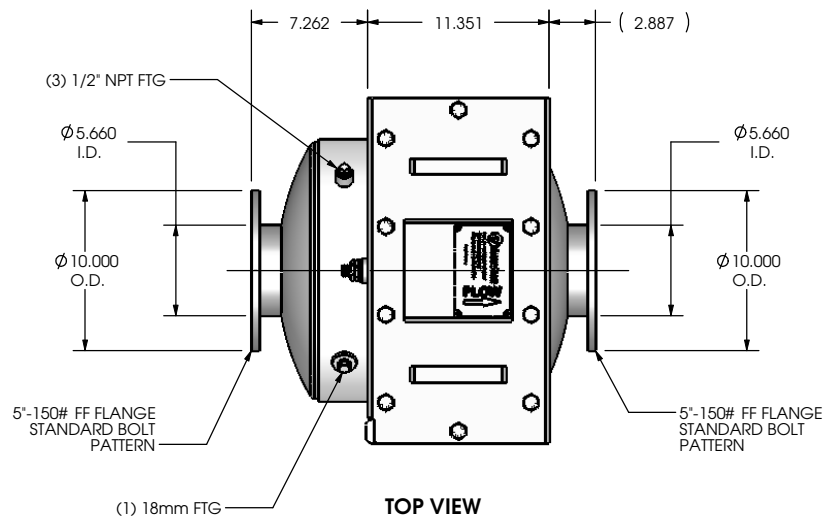
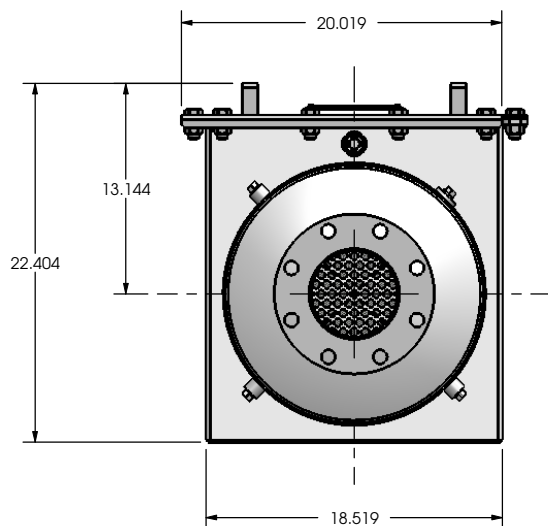


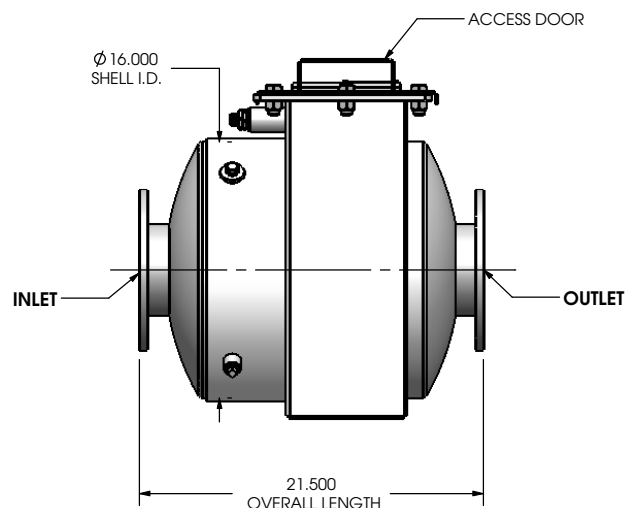
DIMETRIC VIEW



TOP VIEW



FRONT VIEW



RIGHT VIEW


NOTES:

- WEIGHT IS APPROXIMATE WITH (1) ELEMENT
- SINGLE ELEMENT HOUSING
- THIS EQUIPMENT SHALL BE SUPPORTED SUCH THAT NO MOMENTS OR FORCES ARE ON THE INLET AND OUTLET FLANGES

DRAWN	JU	DATE	8/8/2011
ENGINEER	-	DATE	-
APPROVED	-	DATE	-

PROPRIETARY AND CONFIDENTIAL

THIS DRAWING CONTAINS PROPRIETARY INFORMATION WHICH IS TO BE HELD CONFIDENTIAL AND MAY NOT BE REPRODUCED OR DISCLOSED TO OTHERS WITHOUT THE PRIOR WRITTEN CONSENT OF EMERACHEM OR A DULY AUTHORIZED REPRESENTATIVE THEREOF.



DRAWING CD-EC-1450-05-S-XX SD REV **0**

CD-EC-1450-05-S-XX SALES DRAWING

WEIGHT: 133 lb APPROX. SCALE 1:12 SHEET 1 OF 1