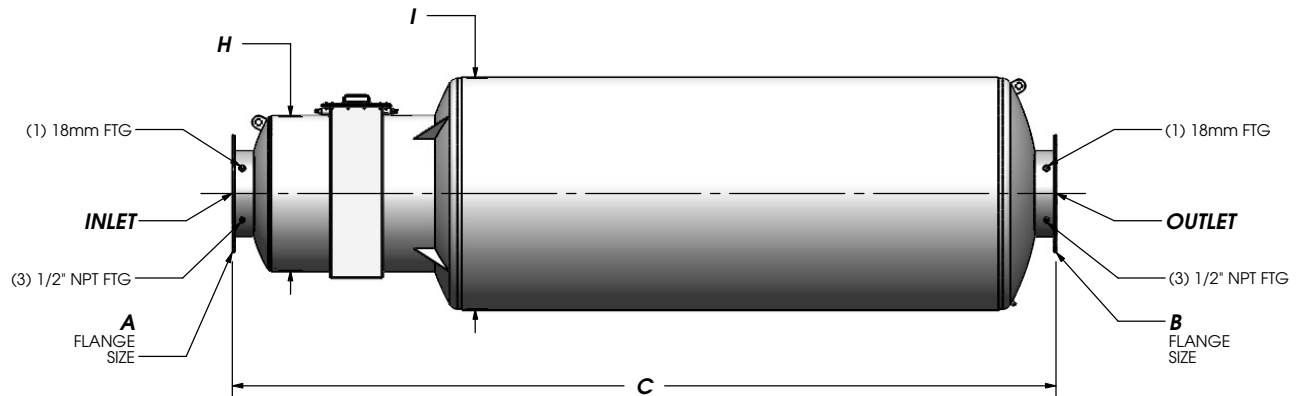
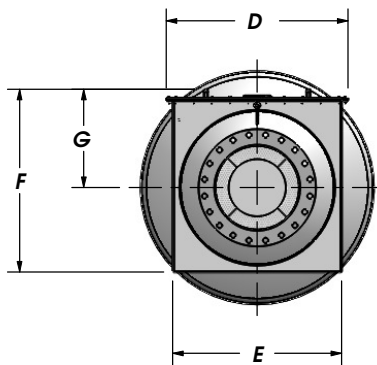


MODEL	WEIGHT (lbs.)	A (in.)	B (in.)	C (in.)	D (in.)	E (in.)	F (in.)	G (in.)	H(in.)	I (in.)
EC-0800-02-H-XX	202	2" - 150#	2" - 150#	70.000	15.019	12.019	14.216	8.207	8.000	14.000
EC-0800-03-H-XX	229	3" - 150#	3" - 150#	72.000	15.019	12.019	14.216	8.207	8.000	16.000
EC-1000-02-H-XX	218	2" - 150#	2" - 150#	70.000	17.019	14.019	16.216	9.207	10.000	14.000
EC-1000-03-H-XX	244	3" - 150#	3" - 150#	72.000	17.019	14.019	16.216	9.207	10.000	16.000
EC-1200-03-H-XX	263	3" - 150#	3" - 150#	72.000	19.019	16.019	18.216	10.207	12.000	16.000
EC-1200-04-H-XX	289	4" - 150#	4" - 150#	72.000	19.019	16.019	18.216	10.207	12.000	18.000
EC-1200-05-H-XX	353	5" - 150#	5" - 150#	79.000	19.019	16.019	18.216	10.207	12.000	22.000
EC-1450-05-H-XX	382	5" - 150#	5" - 150#	78.000	21.519	18.519	20.716	11.457	16.000	22.000
EC-1450-06-H-XX	470	6" - 150#	6" - 150#	88.000	21.519	18.519	20.716	11.457	16.000	26.000
EC-1450-08-H-XX	612	8" - 150#	8" - 150#	100.000	21.519	18.519	20.716	11.457	16.000	30.000
EC-1950-06-H-XX	545	6" - 150#	6" - 150#	95.000	26.519	23.519	25.716	13.957	20.000	26.000
EC-1950-08-H-XX	679	8" - 150#	8" - 150#	107.000	26.519	23.519	25.716	13.957	20.000	30.000
EC-1950-10-H-XX	839	10 - 150#	10 - 150#	122.000	26.519	23.519	25.716	13.957	20.000	34.000
EC-2350-10-H-XX	1098	10 - 150#	10 - 150#	121.000	30.625	27.625	29.875	16.063	24.000	34.000
EC-2350-12-H-XX	1297	12 - 150#	12 - 150#	136.000	30.625	27.625	29.875	16.063	24.000	36.000
EC-2350-14-H-XX	1568	14 - 150#	14 - 150#	146.000	30.625	27.625	29.875	16.063	24.000	42.000
EC-2650-10-H-XX	1153	10 - 150#	10 - 150#	122.000	33.625	30.625	32.875	17.563	28.000	34.000
EC-2650-12-H-XX	1342	12 - 150#	12 - 150#	135.000	33.625	30.625	32.875	17.563	28.000	36.000
EC-2650-14-H-XX	1612	14 - 150#	14 - 150#	145.000	33.625	30.625	32.875	17.563	28.000	42.000
EC-2850-12-H-XX	1368	12 - 150#	12 - 150#	135.000	35.625	32.625	34.875	18.563	28.000	36.000
EC-2850-14-H-XX	1638	14 - 150#	14 - 150#	145.000	35.625	32.625	34.875	18.563	28.000	42.000
EC-2850-16-H-XX	1885	16 - 150#	16 - 150#	157.000	35.625	32.625	34.875	18.563	28.000	45.000
EC-3025-14-H-XX	1648	14 - 150#	14 - 150#	144.000	37.375	34.375	36.625	19.438	30.000	42.000
EC-3025-16-H-XX	1901	16 - 150#	16 - 150#	157.000	37.375	34.375	36.625	19.438	30.000	45.000
EC-3025-18-H-XX	2175	18 - 150#	18 - 150#	171.000	37.375	34.375	36.625	19.438	30.000	48.000
EC-3025-20-H-XX	2586	20 - 150#	20 - 150#	184.000	37.375	34.375	36.625	19.438	30.000	54.000
EC-3350-16-H-XX	2029	16 - 150#	16 - 150#	167.000	40.625	37.625	39.875	21.063	34.000	45.000
EC-3350-18-H-XX	2303	18 - 150#	18 - 150#	181.000	40.625	37.625	39.875	21.063	34.000	48.000
EC-3350-20-H-XX	2701	20 - 150#	20 - 150#	193.000	40.625	37.625	39.875	21.063	34.000	54.000
EC-3550-16-H-XX	2068	16 - 150#	16 - 150#	167.000	42.625	39.625	41.875	22.063	36.000	45.000
EC-3550-18-H-XX	2342	18 - 150#	18 - 150#	180.000	42.625	39.625	41.875	22.063	36.000	48.000
EC-3550-20-H-XX	2722	20 - 150#	20 - 150#	191.000	42.625	39.625	41.875	22.063	36.000	54.000



NOTES:

- WEIGHTS ARE APPROXIMATE WITH (2) ELEMENTS
- THIS EQUIPMENT SHALL BE SUPPORTED SUCH THAT NO MOMENTS OR FORCES ARE ON THE INLET AND OUTLET FLANGES

EC-XXXX-XX-H-XX

ELEMENT SIZE
XX,XX

MATERIAL CONSTRUCTION
CS = CARBON STEEL
SS = STAINLESS STEEL

FLANGE SIZE
XX" 150# FF

HOUSING TYPE
H = HOSPITAL GRADE

DRAWN	JU	DATE	1/27/2011
ENGINEER	-	DATE	-
APPROVED	-	DATE	-

PROPRIETARY AND CONFIDENTIAL

THIS DRAWING CONTAINS PROPRIETARY INFORMATION WHICH IS TO BE HELD CONFIDENTIAL AND MAY NOT BE REPRODUCED OR DISCLOSED TO OTHERS WITHOUT THE PRIOR WRITTEN CONSENT OF EMERACHEM OR A DULY AUTHORIZED REPRESENTATIVE THEREOF.



DRAWING	EC-XXXX-XX-H-XX	REV	2
HOSPITAL GRADE COMBO SIZING DRAWING			
SHEET 1 OF 1			