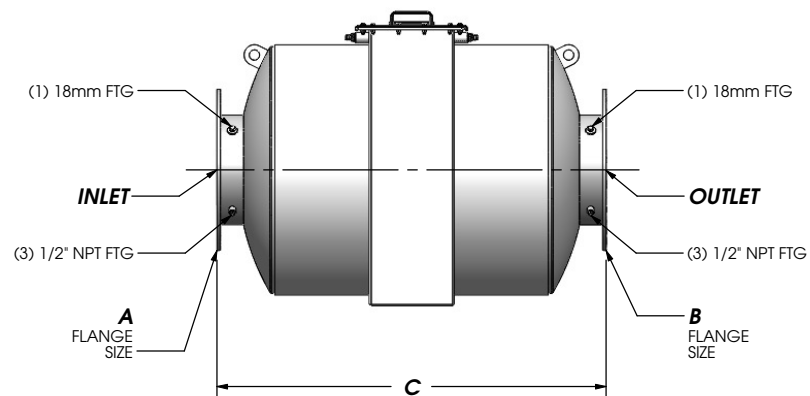


MODEL	WEIGHT (lbs.)	A (in.)	B (in.)	C (in.)	D (in.)	E (in.)	F (in.)	G (in.)
EC-0800-02-S-XX	103	2" - 150#	2" - 150#	33.250	15.019	12.019	14.216	8.207
EC-0800-03-S-XX	107	3" - 150#	3" - 150#	33.250	15.019	12.019	14.216	8.207
EC-1000-02-S-XX	120	2" - 150#	2" - 150#	33.250	17.019	14.019	16.216	9.207
EC-1000-03-S-XX	124	3" - 150#	3" - 150#	33.250	17.019	14.019	16.216	9.207
EC-1200-03-S-XX	151	3" - 150#	3" - 150#	36.250	19.019	16.019	18.216	10.207
EC-1200-04-S-XX	156	4" - 150#	4" - 150#	36.250	19.019	16.019	18.216	10.207
EC-1200-05-S-XX	158	5" - 150#	5" - 150#	36.250	19.019	16.019	18.216	10.207
EC-1450-05-S-XX	191	5" - 150#	5" - 150#	36.250	21.519	18.519	20.716	11.457
EC-1450-06-S-XX	193	6" - 150#	6" - 150#	36.250	21.519	18.519	20.716	11.457
EC-1450-08-S-XX	201	8" - 150#	8" - 150#	36.250	21.519	18.519	20.716	11.457
EC-1950-06-S-XX	278	6" - 150#	6" - 150#	44.875	26.519	23.519	25.716	13.957
EC-1950-08-S-XX	286	8" - 150#	8" - 150#	44.875	26.519	23.519	25.716	13.957
EC-1950-10-S-XX	294	10" - 150#	10" - 150#	44.875	26.519	23.519	25.716	13.957
EC-2350-10-S-XX	413	10" - 150#	10" - 150#	44.875	30.625	27.625	29.875	16.063
EC-2350-12-S-XX	427	12" - 150#	12" - 150#	44.875	30.625	27.625	29.875	16.063
EC-2350-14-S-XX	438	14" - 150#	14" - 150#	44.875	30.625	27.625	29.875	16.063
EC-2650-10-S-XX	472	10" - 150#	10" - 150#	44.875	33.625	30.625	32.875	17.563
EC-2650-12-S-XX	486	12" - 150#	12" - 150#	44.875	33.625	30.625	32.875	17.563
EC-2650-14-S-XX	497	14" - 150#	14" - 150#	44.875	33.625	30.625	32.875	17.563
EC-2850-12-S-XX	512	12" - 150#	12" - 150#	44.875	35.625	32.625	34.875	18.563
EC-2850-14-S-XX	523	14" - 150#	14" - 150#	44.875	35.625	32.625	34.875	18.563
EC-2850-16-S-XX	534	16" - 150#	16" - 150#	44.875	35.625	32.625	34.875	18.563
EC-3025-14-S-XX	546	14" - 150#	14" - 150#	44.875	37.375	34.375	36.625	19.438
EC-3025-16-S-XX	556	16" - 150#	16" - 150#	44.875	37.375	34.375	36.625	19.438
EC-3025-18-S-XX	559	18" - 150#	18" - 150#	44.875	37.375	34.375	36.625	19.438
EC-3025-20-S-XX	571	20" - 150#	20" - 150#	44.875	37.375	34.375	36.625	19.438
EC-3350-16-S-XX	712	16" - 150#	16" - 150#	56.750	40.625	37.625	39.875	21.063
EC-3350-18-S-XX	714	18" - 150#	18" - 150#	56.750	40.625	37.625	39.875	21.063
EC-3350-20-S-XX	726	20" - 150#	20" - 150#	56.750	40.625	37.625	39.875	21.063
EC-3550-16-S-XX	758	16" - 150#	16" - 150#	56.750	42.625	39.625	41.875	22.063
EC-3550-18-S-XX	761	18" - 150#	18" - 150#	56.750	42.625	39.625	41.875	22.063
EC-3550-20-S-XX	772	20" - 150#	20" - 150#	56.750	42.625	39.625	41.875	22.063



NOTES:

- WEIGHTS ARE APPROXIMATE WITH (2) ELEMENTS
- THIS EQUIPMENT SHALL BE SUPPORTED SUCH THAT NO MOMENTS OR FORCES ARE ON THE INLET AND OUTLET FLANGES

EC-XXXX-XX-S-XX

ELEMENT SIZE
XX.XX

FLANGE SIZE
XX" 150# FF

MATERIAL CONSTRUCTION
CS = CARBON STEEL
SS = STAINLESS STEEL

HOUSING TYPE
S = HOUSING ONLY

DRAWN	JU	DATE	1/27/2011
ENGINEER	-	DATE	-
APPROVED	-	DATE	-

PROPRIETARY AND CONFIDENTIAL

THIS DRAWING CONTAINS PROPRIETARY INFORMATION WHICH IS TO BE HELD CONFIDENTIAL AND MAY NOT BE REPRODUCED OR DISCLOSED TO OTHERS WITHOUT THE PRIOR WRITTEN CONSENT OF EMERACHEM OR A DULY AUTHORIZED REPRESENTATIVE THEREOF.



DRAWING EC-XXXX-XX-S-XX REV **2**

HOUSING SIZING DRAWING