



MURPHY®

# EMS PRO LITE

## COMPACT, FLEXIBLE INDUSTRIAL PUMP CONTROLLER

Perfect for Dewatering and Irrigation Applications
Pressure, Level and Float Start/ Stop Types
Backlit Graphical Display and Alarm Indicating LEDs
Tier 4 and Stage IIIB/IV ready
Wide Operating Temperature Range
Supports Mechanical and Electronic Engines



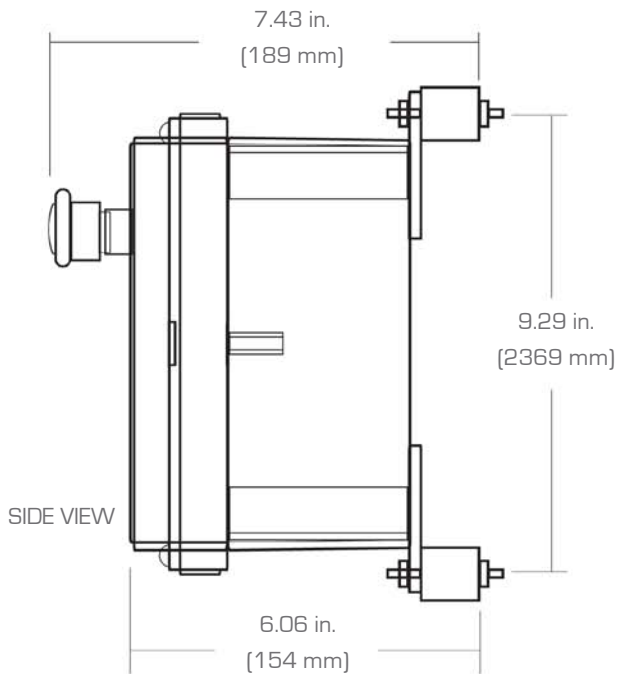
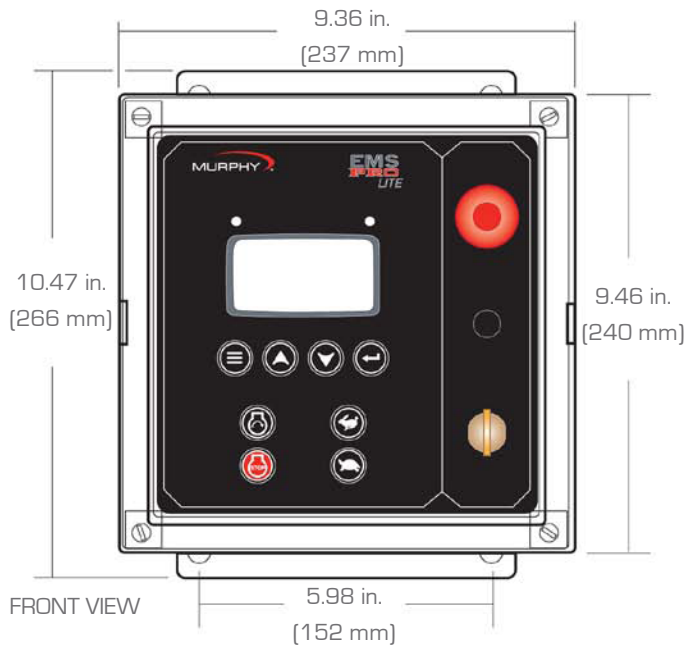
Looking for an industrial pump controller tailored for specialized applications?

The EMS PRO LITE controller was designed with dewatering and irrigations applications in mind. The controller features a compact enclosure and focused feature set, including pressure, level and float start/stop types, for the ideal balance of functionality and control needed to perform specific application functions.

The user-friendly interface features eight touch buttons, and a backlit graphical display visible in all types of conditions. The interface is mounted directly to the front of the NEMA 4 enclosure for easy access and operation.

See the full specifications on the back of this sheet for a full overview of EMS PRO LITE technical features.

## STANDARD DIMENSIONS



## TECHNICAL SPECS:

- Operating Voltage: Engineered for 12VDC systems (8 VDC Minimum to 14.4 VDC Maximum)
- Operating Temperature and Storage Temperature: -40° to 80°C (-40° to 176°F)
- Standby Current: @ 12V, 140mA
- LEDs: 2 - Alarm (Amber); Shutdown (Red)
- CAN Bus: SAE J1939 Compliant
- Enclosure: Polycarbonate Nema 4 (UL Listed)
- Analog Inputs: 6 designated via program; sender/ground digital, 4 - 20 mA, 0 - 5VDC
- Digital Inputs: 4 high/low
- Frequency Input: 1 optically isolated input for speed reference, magnetic pick-up (30 - 10kHz)
- Fuel Sender Input: 33 Ohm full, 240 Ohm empty
- Analog Output: 1 dedicated for analog throttling (0.4 - 4.6VDC)
- Digital Outputs: 6 dedicated via program
- Relays: 2 SPDT Common NO wired, rated @ 8 Amps as installed
- User Interface: 8 button membrane switch
- Connectors: One 21 pin Deutsch HDP20 and One 9 pin Deutsch HD10 Series
- Mounting: 4 isolated 0.75 inch rubber shock mounts
- Shipping Weight: 7 Lb. (3.2 kg)
- Shipping Dimensions: 12 x 12 x 10 in. (304.8 x 304.8 x 254 mm)

## RJ Mann & Associates Inc.

*Engine Controls & Panels/Compressor Parts*

860 North 9th Avenue, Brighton, CO 80603

Ph: (303) 659-5139 Fax: (303) 659-5309

[www.rjmann.com](http://www.rjmann.com)