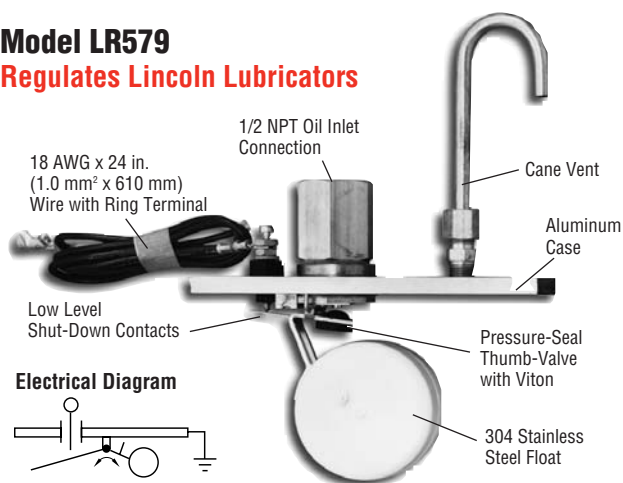


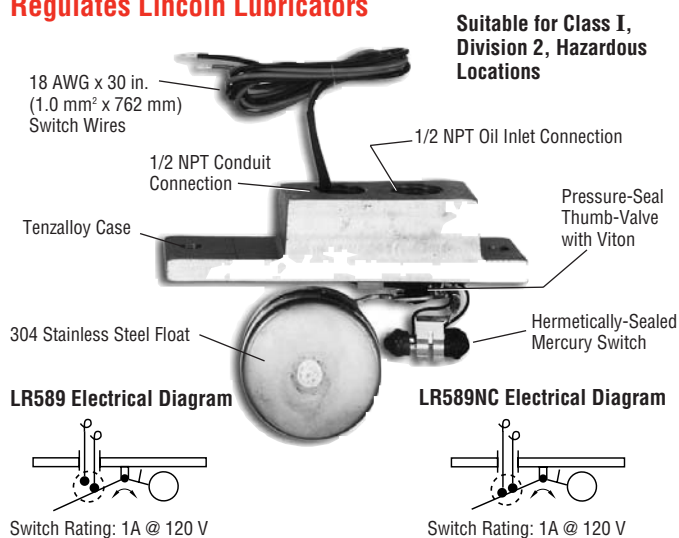
Oil Level Regulators for Lubricators

Model LR579 Regulates Lincoln Lubricators



Switch Rating: 2A @ 20 V AC/DC, resistive

Models LR589 and LR589NC Regulates Lincoln Lubricators



Suitable for Class I,
 Division 2, Hazardous
 Locations

LR589 Electrical Diagram

LR589NC Electrical Diagram

Switch Rating: 1A @ 120 V

Switch Rating: 1A @ 120 V

LR500 Series

- Unique Anti-Clog Thumb-Valve™
- Regulate Oil Flow From Reservoir to Keep Lubricator Full
- Eliminates Manual Oil Check and Refill Time
- Low-level Shutdown Switch
- Reduce Engine and Pump Repairs Caused By Low Lube Level

Description

The LR500 Series Level Regulators automatically add oil to a lubricator to maintain the factory recommended level. This function eliminates the work time necessary for manual checks and refills.

Each model has a low-level shutdown switch to protect equipment when oil supply is lost. If the lubricator oil level drops below the minimum operations level, the low-level switch will operate an alarm and/or shutdown the equipment.

Model **LR579** is for Lincoln lubricators. It features an adjustable low-level shutdown contact.

LR589 is for Lincoln lubricators, and the **LR589NC** is the normally closed wired version of the LR589.

How to Order

Specify model when ordering.

LR579

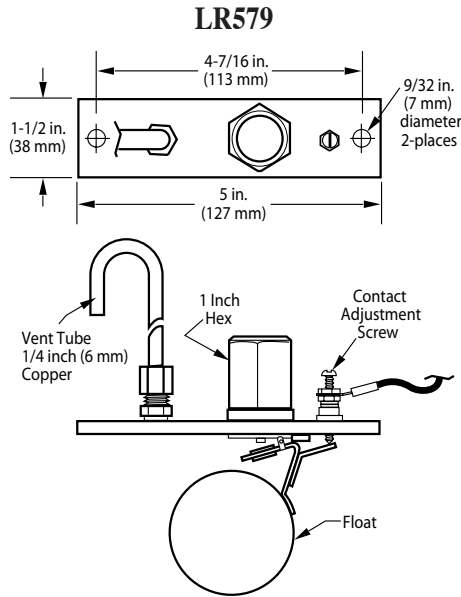
LR589

LR589NC

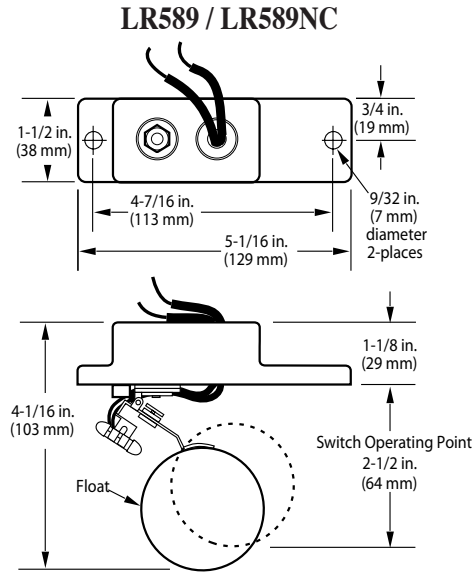
Warranty

A limited warranty on materials and workmanship is given with this FW Murphy product. A copy of the warranty may be viewed or printed by going to www.fwmurphy.com/support/warranty.htm

Dimensions



Shipping Weight: 13 oz. (368 g).
Shipping Dimensions: 4-3/4 x 4-3/4 x 3-1/4 in.
(121 x 121 x 83 mm).



Shipping Weight: 12 oz. (340 g).
Shipping Dimensions: 4-3/4 x 4-3/4 x 2-3/4 in.
(121 x 121 x 70 mm)

Installation

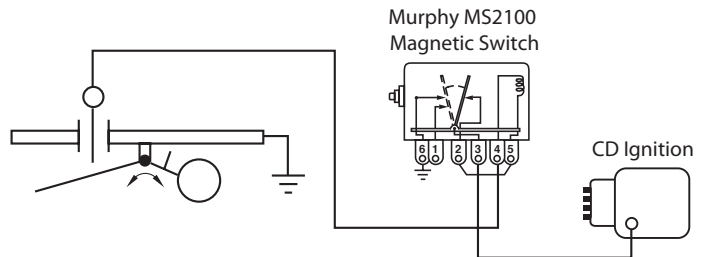
WARNING

Before beginning installation of this Murphy product:

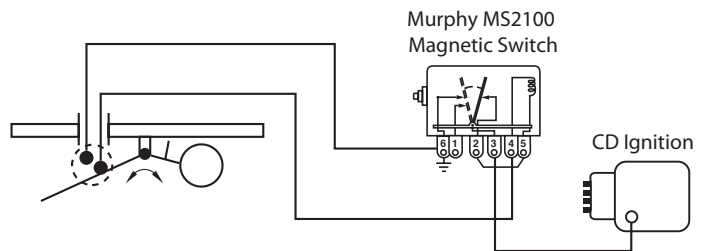
- ✓ Disconnect ALL electrical power to the machine.
- ✓ Make sure the machine CANNOT operate during installation.
- ✓ Follow all safety warnings of the machine manufacturer.
- ✓ Read and follow all installation instructions.

1. Remove the cover on a vacant cell of the lubricator (DO NOT install in bays next to crank arm).
2. Bolt the level regulator in place, using the bolts that held the cover.
3. Connect the flex hose from the oil reservoir to the oil inlet at the level regulator. Oil reservoir must be at least two feet (0.61 meters) above the level regulator.
4. Wire switch for alarm and/or shutdown. One switch can be used to shut-down all equipment supplied by a common oil reservoir.

Typical Wiring for LR579



Typical Wiring for LR589



RJ Mann & Associates Inc.
Engine Controls & Panels/Compressor Parts

860 North 9th Avenue, Brighton, CO 80603
Ph: (303) 659-5139 Fax: (303) 659-5309
www.rjmann.com

