

Direct Mount Pressure Switch Model PSB



Features

- Limit Switch for Critical Pressure
- Operate Alarms or Shutdown Equipment
- SPDT Snap-Acting Switch
- Fits Most Engine Applications



* **Products covered by this bulletin comply with EMC Council directive 89/336/EEC regarding electromagnetic compatibility except as noted.

Description

The PSB switch is a direct mount switch for critical pressure points. It has one limit contact that can be used to activate an alarm, actuate indicator lights or shutdown equipment.

The construction of this instrument is the same as our time-proven Swichgage® instrument. A precision machined brass mounting plate and port captures a high quality stamped beryllium copper diaphragm. The single-pole, double-throw (SPDT) snap-switch is operated directly from the diaphragm for quick acting and positive switching. Trip point is factory preset according to your specifications.

Housing is weather sealed to prevent entry of moisture, dust, etc. A glass-filled nylon terminal block with quick screw terminal connections gives the PSB switch a real advantage in industrial engine applications. The PSB is ideal when reading is not desired, but pressure is critical to operational efficiency. Intended for use in general purpose nonclassified areas.

Applications

- Engine Lubrication
- Water pumps
- Compressors
- Oil field systems
- Irrigation systems
- Construction Equipment
- Light-duty Mobile Equipment
- Marine engines
- Generators

Features

- Fits all engine applications
- SPDT snap-switch
- Activates indicator lights, alarms, or shut down equipment
- Time-proven SWICHGAGE® construction
- Easy wiring terminal block
- Steel housing specially coated to resist corrosion
- Factory preset to your specifications

Specifications

Housing: Plated steel.

Pressure Connection: 1/8-27 NPT, Brass.

Diaphragm: Formed beryllium copper (heat treated).

Pulsation Dampener: Brass (it is removable for cleaning).

Terminal Block: Three #4-40 screws.

Accuracy: Trip point: $\pm 3\%$ of full scale.

Switch reset differential: $\pm 7\%$ of full scale.

Repeatability: $\pm 1\%$ of full scale.

Contact Rating: SPDT 3 A @ 30 VDC inductive.

Maximum Pressure: See Trip Point Chart on reverse side.

Temperature Range:

Ambient= -40°F (-40°C) thru 150°F (66°C).

Process= -40°F (-40°C) thru 250°F (121°C).

Factory Trip Point Setting: See Trip Point Chart (on back).

Pressure Range: Specify from 0-400 psi (0- 2.76 MPa) [0- 27.58 bar]. See Trip Point Chart on reverse side.

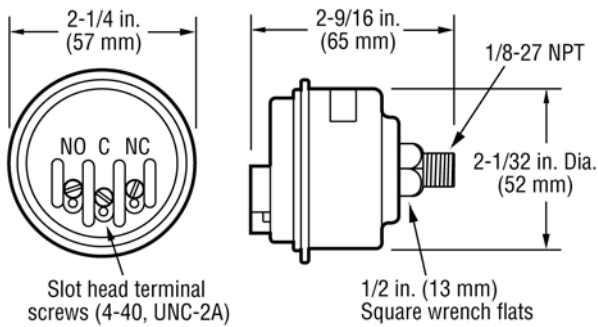
Contact: Operates on rising or falling pressure (specify).

Shipping Weight: 8 oz. (0.25 kgs).

Shipping Dimensions: 3 x 2-3/4 x 2-3/4 in. (76 x 70 x 70 mm).

■ NOTE: No customer replacement parts.

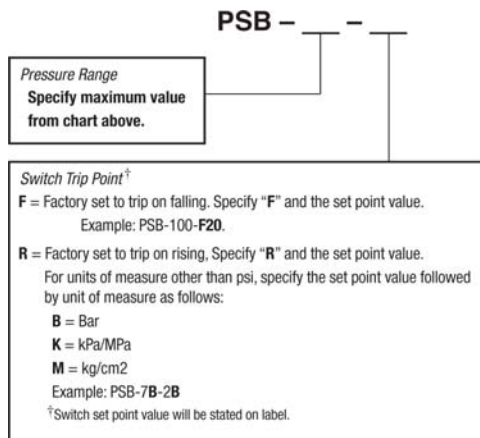
Dimensions



Trip Point Chart

Ranges available psi (kPa/MPa) [bar]	Factory setting psi (kPa) [bar] Falling	Maximum pressure psi (kPa) [bar]
0-15 (0-103) [0-1.03]	3 (21) [.21]	30 (207) [2.07]
0-30 (0-207) [0-2.07]	7 (48) [.48]	60 (414) [4.14]
0-50 (0-345) [0-3.45]	10 (69) [.69]	100 (0-689) [0-6.89]
0-75 (0-517) [0-5.17]	15 (103) [1.03]	150 (0-1.03) [0-10.34]
0-100 (0-689) [0-6.89]	20 (138) [1.38]	200 (0-1.38) [0-13.79]
0-150 (0-1.03) [0-10.34]	30 (207) [2.07]	300 (0-2.07) [0-20.70]
0-200 (0-1.38) [0-13.79]	50 (345) [3.45]	400 (0-2.76) [0-27.60]
0-300 (0-2.07) [0-20.70]	75 (517) [5.17]	500 (3.45) [34.50]
0-400 (0-2.76) [0-27.60]	150 (1.03) [10.34]	500 (3.45) [34.50]

How to Order



RJ Mann & Associates Inc.

Engine Controls & Panels/Compressor Parts

860 North 9th Avenue, Brighton, CO 80603

Ph: (303) 659-5139 Fax: (303) 659-5309

www.rjmann.com

Warranty - A limited warranty on materials and workmanship is given with this FW Murphy product. A copy of the warranty may be viewed or printed by going to <http://www.fwmurphy.com/warranty/>