

HAZARDOUS AREA

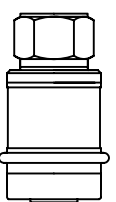
1. INSTALLATION INSTRUCTIONS FOR CLASS I DIV 2

UNITS MEET CLASS 1 DIV 2 WHEN INSTALLED IN ACCORDANCE WITH CLASS 1 DIV 2 METHODS. EITHER BY USING THE CONDUIT CONNECTION AND GROUND CONNECTION PROVIDED OR BY INSTALLING IN A SUITABLE ENCLOSURE ACCEPTABLE TO THE LOCAL AUTHORITY HAVING JURISDICTION.

2. INSTALLATION INSTRUCTIONS FOR CLASS I DIV 1 (B)

Class I, Groups A, B, C, D
Class II, Groups E, F, G

PRESSURE TRANSMITTER AND TRANSDUCER
PXT SERIES, SGM SERIES, SERIES 100



TRANSMITTER ENTRY
PARAMETERS

TERMINALS	VMAX	IMAX	CI	LI
POS - NEG	28 V	93 mA	0.11 μ F	0.22 mH

$V_{max} \geq V_{oc}$
 $I_{max} \geq I_{sc}$
 $C_i + C_{cable} \leq C_o$
 $L_i + L_{cable} \leq L_o$

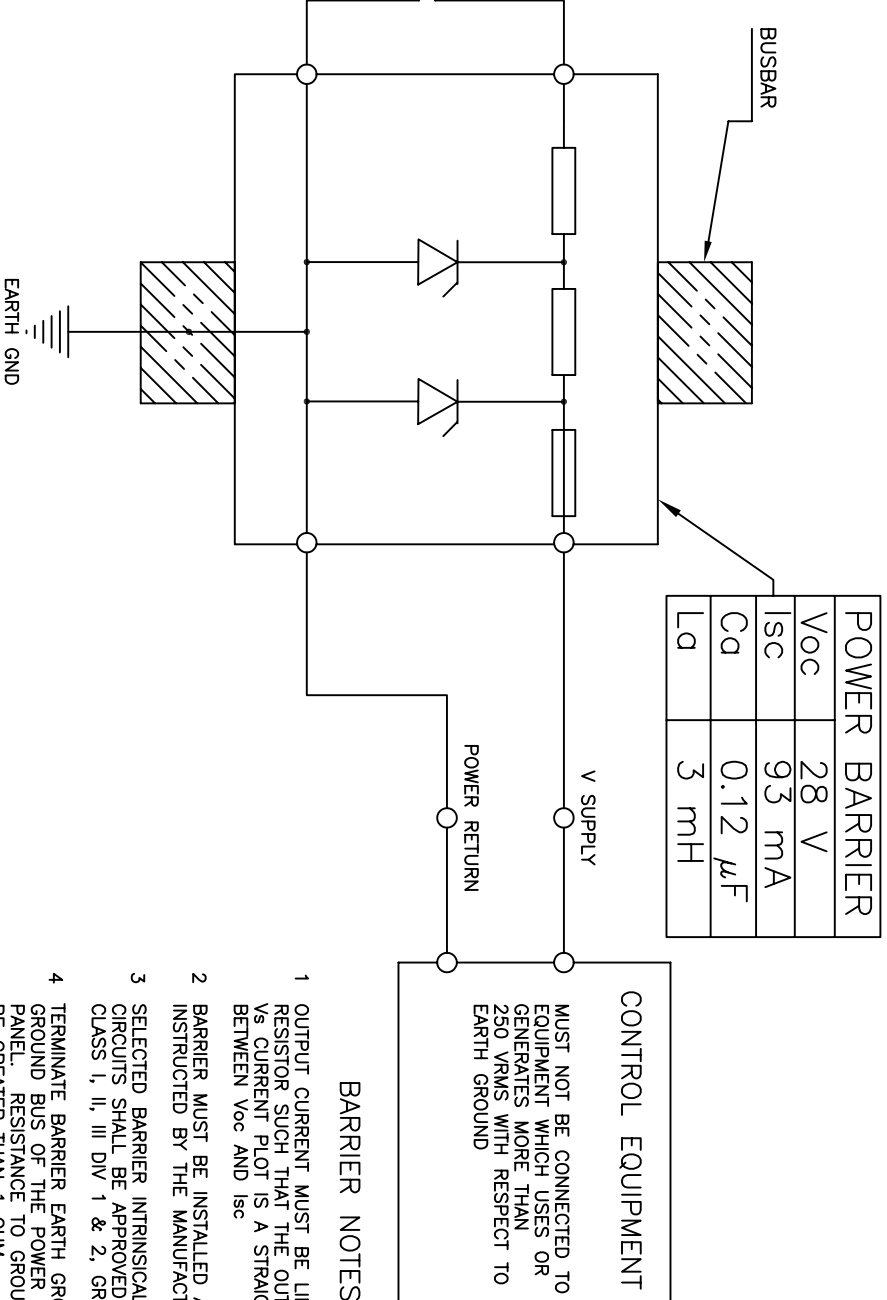
USE THE FOLLOWING PARAMETERS IF CABLE PARAMETERS ARE UNKNOWN.

CABLE CAPACITANCE: 60 pF/ft
(EX. $C_{cable} = 1000ft \times 60pF/ft = 0.06\mu F$)

CABLE INDUCTANCE: 0.2 μ H/ft
(EX. $L_{cable} = 1000ft \times 0.2\mu H/ft = 0.2mH$)

ALL INTRINSICALLY SAFE WIRING SHALL BE KEPT SEPARATE FROM NON-INTRINSICALLY SAFE WIRING. REFER TO ARTICLE 504 OF THE NATIONAL ELECTRICAL CODE OR THE CANADIAN ELECTRICAL CODE.

SAFE AREA



POWER BARRIER	
Voc	28 V
Isc	93 mA
Co	0.12 μ F
Lo	3 mH

CONTROL EQUIPMENT

MUST NOT BE CONNECTED TO EQUIPMENT WHICH USES OR GENERATES MORE THAN 250 VRMS WITH RESPECT TO EARTH GROUND

BARRIER NOTES

- 1 OUTPUT CURRENT MUST BE LIMITED BY A RESISTOR SUCH THAT THE OUTPUT VOLTAGE VS CURRENT PLOT IS A STRAIGHT LINE BETWEEN V_{oc} AND I_{sc}
- 2 BARRIER MUST BE INSTALLED AS INSTRUCTED BY THE MANUFACTURER
- 3 SELECTED BARRIER INTRINSICALLY SAFE CIRCUITS SHALL BE APPROVED FOR CLASS I, II, III DIV 1 & 2, GROUPS A-G
- 4 TERMINATE BARRIER EARTH GROUND TO THE GROUND BUS OF THE POWER DISTRIBUTION PANEL. RESISTANCE TO GROUND MUST NOT BE GREATER THAN 1 OHM

REV.	CHANGES MADE	
A	NOTE WAS: PRESSURE TRANSMITTER PXT SERIES, MODEL WAS:	
B	CLARIFY FOR CL1, DIV 1, DCN #6005 (CAS) (8-20-07)	
	PXT INSTALLATION DIAGRAM, DCN #4946 (DMc)(0 5-03-06) DMc	

DRAWN BY: JAD | E.R.NO. 01-0288

DATE: 4/10/01 | CHKD. BY: JS | APPD. BY: STM

MODEL: PXT, SGM & SERIES 100
INSTALLATION DIAGRAM

DRAWING NO. 05-08-0754 | SIZE B | REV. B