

PowerView™ Model PV750



Features

- CAN-based display with fully modular design
- Customize the bezel, buttons, I/O interface and more
- Configuration software for OEMs available
- Bonded LCD screen viewable in direct sunlight
- Rugged / Reliable Design
- Endless possibilities

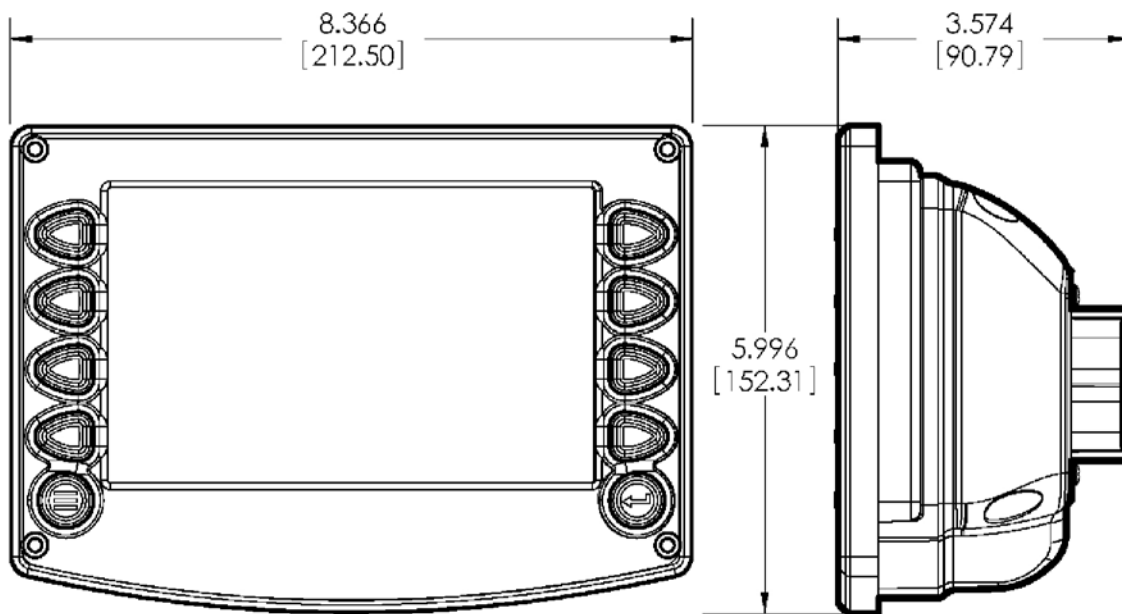
The PowerView 750 display features a fully modular design. Any of the major components can be redesigned and assembled to meet your exact needs. It's an incredible amount of customization with minimal non-recurring engineering costs.

You can change the shape of the bezel and buttons. You can rework the I/O board to add extra input. You can add custom graphics and company branding to the interface.

The PowerView 750 display also has configuration software for OEMs available, so you can continue to make quick and easy changes to the onscreen display.

The PV750 display is also highly durable. See the full specs on the back of this sheet for a full overview of its technical features.

Dimensions



Specifications

Technical

Display: 7" / 178mm color transmissive TFT LCD

Resolution: WGA, 800 x 480 pixels, 16-bit color

Aspect Ratio: 16:9

Orientation: Landscape or portrait

Backlighting: LED, 400-500 cd / mC (50,000 h lifetime)

Microprocessor: Freescale iMX 31 32bit, 400Mhz

QNX Operating System

Flash Memory: 2 GB

RAM: 128 Mbytes SDRAM

SD storage (optional): for program updates, map data, diagnostic data storage

Operating Voltage: 6-35 VDC, protected against, reverse polarity and load-dump

Power Consumption: 10w full backlight; 22w full backlight with heater (<-10 °C)

CAN: 3 CAN ports according to CAN specification 2.0A or 2.0B; one port isolated according to NMEA 2000 (GPS)

RS485: 1 MODBUS Master/Slave port, PVA Gage

Video input: optional NTSC/PAL

Protocols: J1939, NMEA 2000 (GPS), CANOpen protocol support.

Connection: 5 Deutsch DT 6-pin connectors

Keyboard: 10 tactile buttons

USB 2.0 host (full speed)

Output Digital: (1) capable of syncing 500mA

Inputs: (3) 0-5 VDC analog inputs. (1) input configurable to support measurement frequencies from 2Hz - 10kHz and PWM values from 0-100% duty cycle.

Environmental

Operating Temperature: -40°C to +85°C

Storage Temperature: -40°C to +85°C

Protection: IP67, front and back.

Emissions: IEC 60945, 95/54/EC

Immunity: SAE J1113, ISO 11452

Vibration: Random vibration, 7.86 Grms (5-2000 Hz), 3 axis

Shock: +/- 50G in 3 axis

Mechanical

Dimensions: 8.37 x 6.0 in. (212.5 x 152.3 mm) landscape

Unit Depth: 3.57 in. (90.8 mm)

Case material: Polycarbonate back case

RJ Mann & Associates Inc.

Engine Controls & Panels/Compressor Parts

860 North 9th Avenue, Brighton, CO 80603

Ph: (303) 659-5139 Fax: (303) 659-5309

www.rjmann.com

Warranty - A limited warranty on materials and workmanship is given with this FW Murphy product.
A copy of the warranty may be viewed or printed by going to <http://www.fwmurphy.com/warranty>