



MODULAR DISPLAY CUSTOMIZED TO MEET YOUR NEEDS

THE POWERVIEW™ 750

If you could change anything about your display, what would it be? The shape? The inputs? The interface? How about nearly everything?



Portrait version



Landscape version



CAN-based display, with fully modular design

Easy-to-use configuration software

Rugged/reliable design

Configurable control buttons

Bonded LCD screen, viewable in direct sunlight

Customized bezel, buttons, I/O interface and more

Multiple languages

The PowerView 750 display features a fully modular design. Any of the major components can be redesigned and assembled to meet your exact needs.

It's an incredible amount of customization to meet your requirements, for example:

- Change bezel & buttons
- Remove or add I/O
- Customize onscreen graphics
- Brand it with your company logo

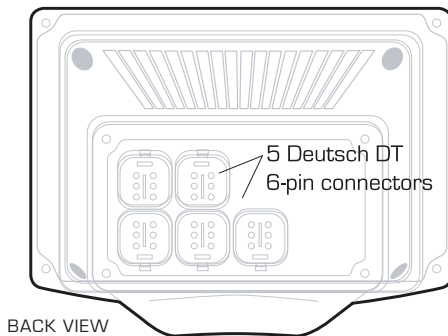
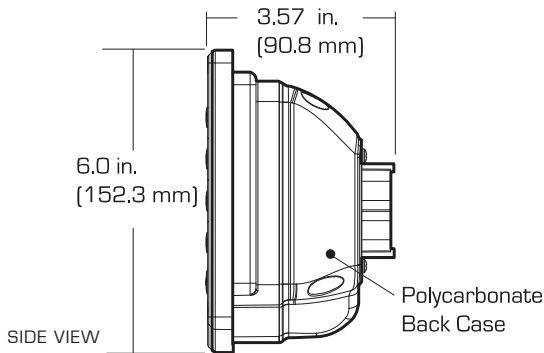
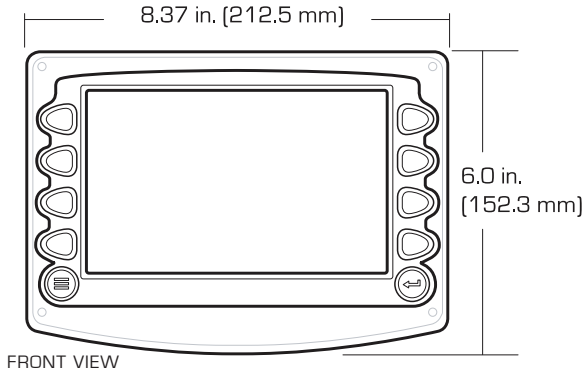
The PowerView 750 display is also highly durable. See the complete specs on the back of this sheet for a full overview of its technical features.



PowerVision Configuration Studio™ software.

THE POWERVIEW™ 750

STANDARD DIMENSIONS



TECHNICAL SPECS

- Display: 7"/178mm color transmissive TFT LCD
- Resolution: WVGA, 800 x 480 pixels, 16-bit color
- Aspect Ratio: 16:9
- Orientation: Landscape or portrait
- Backlighting: LED, 400-500 cd/m² (50,000 h lifetime)
- Microprocessor: Freescale iMX.31 32bit, 400MHz
- GNX Operating System
- Flash Memory: 2 GB
- RAM: 128 Mbytes SDRAM
- USB: 2.0 host (full speed)
- SD storage (optional): for program updates, map data and diagnostic data storage
- Operating Voltage: 8-35 VDC, protected against reverse polarity and load-dump
- Power Consumption: 10w full backlight; 22w full backlight with heater (< -10°C)
- CAN: 3 CAN ports according to CAN specification 2.0B; one port isolated according to NMEA 2000 (GPS)
- RS 485: 1 MODBUS Master/Slave port
- Video input: optional NTSC/PAL
- Protocols: J1939, NMEA 2000 (GPS), CANopen, Free Form CAN
- Connection: 5 Deutsch DT 6-pin connectors
- Keyboard: 10 tactile buttons
- Inputs: (3) 0-5 VDC analog inputs, (1) input configurable to support measurement frequencies from 2 Hz-10 kHz and PWM values from 0-100% duty cycle
- Output: Digital, capable of syncing 500mA
- Landscape or Portrait Mounting Options: Front Mount, Back Mount, Gimbal Mount

ENVIRONMENTAL SPECS

- Operating Temperature: -40° C to +85° C
- Storage Temperature: -40° C to +85° C
- Protection: IP66 and 67, front and back
- Emissions: SAE J1113 or customer specified
- Immunity: SAE J1113 or customer specified
- Vibration: Random vibration, 7.86 Grms (5-2000 Hz), 3 axis
- Shock: +/- 50G in 3 axis



RJ Mann & Associates Inc.
Engine Controls & Panels/Compressor Parts

860 North 9th Avenue, Brighton, CO 80603

Ph: (303) 659-5139 Fax: (303) 659-5309

www.rjmann.com