

Selectronic® Tattletale® Remote Alarm Annunciators

ST-95046B
Revised 08-06
Catalog Section 25



ST Series

- Provide Audible and Visual Alarm
- Simple and Inexpensive
- Wide Range of Applications
- Gen-Set Models Meet NFPA-99 and NFPA-110 Requirements

Description

The ST Series Selectronic Tattletale annunciators are a simple and inexpensive answer to your remote alarm annunciator needs. Basic models **ST5AS** and **ST10AS** are general purpose alarms suitable for a variety of applications. Model **ST8** gives first out annunciation of fault. Model **STA16** is designed for generator set applications and can be configured to meet NFPA requirements for standby generators.

These compact Tattletale annunciators tell you by a flashing LED which variable malfunctioned. Many feature a pulsating Mini-Siren to audibly alert you to the malfunction. The audible alarm is silenced by depressing the Alarm Silence push button, but the visual signal remains in operation until the fault is corrected and the contacts are cleared.

A test push button allows you to test all alarm LEDs. Because LEDs are solid state, cold light, electronic devices, they don't burn out as incandescent light bulbs do.

Basic models accept 8-32 VAC or 8-40 VDC input voltage. Others are available for either 12 VDC or 24 VDC input.

Preprinted peel and stick nameplates for common faults are supplied with each unit. Most of the Selectronic Tattletale annunciators accept either normally open (N.O.) or normally closed (N.C.) contacts. You can mix N.O. and N.C. contacts on the same unit.

Two mounting styles are offered; a recessed panel mounting flange and a free-standing gimbal mounting. (Model STA16 is available only in flange mount).

All models except STA16 have a time delay available to lockout the audible alarm on startup.

These unique alarm panels have wide ranging applications and can be grouped in many configurations. Ask any Murphy sales/engineer for assistance.

Basic Operation

When an alarm sensor trips, the LED flashes and, if equipped, the Mini-Siren sounds. At the same time an output circuit is activated which allows you to connect an external relay to operate a general alarm, operate a shutdown device, etc.

Applications

- Marine
- Generator Sets
- Oil Field
- Agriculture
- Construction

Warranty

A limited warranty on materials and workmanship is given with this FW Murphy product. A copy of the warranty may be viewed or printed by going to www.fwmurphy.com/support/warranty.htm



CAUTION: Certain dangers to human safety and to equipment may occur if some equipment is stopped without pre-warning. It is recommended that monitored functions be limited to alarm-only or to alarm before shutdown.



BASIC: ST5AS, ST10AS and ST5DAS Series

Murphy Basic ST-Series Selectronic Tattletale annunciators are used wherever a remote alarm and annunciation is required. Typical applications are in marine pilot houses to alert the crew of problems developing in engine, gear, bilge, auxiliary power plants, etc. Repeater panels can be added for additional locations such as flybridge, on deck, galley or engineer's quarters. Each repeater panel can be acknowledged individually or alternate wiring allows for one master control to silence all repeater panels.

Other applications include power plant control rooms or building maintenance, for remote drilling rigs, construction sites, agricultural and construction equipment.

When a fault occurs, the contact operation causes the appropriate LED to flash and the audible Mini-Siren to pulse. At the same time an output signal is generated which allows an external relay to be wired to operate a general alarm such as a bell or horn. Depressing the Alarm Silent button silences the local audible alarm and disconnects the output for the remote alarm. The flashing LED remains in operation until the fault is corrected and the contacts reset. Alarm Silence/Test button allows you to test all LEDs. Preprinted peel and stick nameplates for common faults are supplied with each unit.



5-Points

- **ST5ASF** (flange mount) and **ST5ASG** (gimbal mount)
- Provides 5 alarm points and output for remote alarm relay.
- Accepts N.O. and/or N.C. contacts.
- Use individually or gang for multiple applications.
- Input voltage 8-32 VAC or 8-40 VDC.



10-Points

- **ST10ASF** (flange mount) and **ST10ASG** (gimbal mount)
- Provides 10 alarm points and output for remote alarm relay.
- Accepts N.O. and/or N.C. contacts.
- Use individually or gang for multiple applications.
- Input voltage 8-32 VAC or 8-40 VDC.



Dual 5-Points

- **ST5DASF** (flange mount) and **ST5DASG** (gimbal mount)
- Provides two separate sets of 5 alarm points in one package. Each set of 5 points is powered separately from the other, but they share the same negative of the power source.
- Primary application is on twin engine boats. Since each set of alarm points is powered separately, if only one engine is running there is no alarm on the engine not running.
- Accepts N.O. and/or N.C. contacts.
- Input voltage 8-32 VAC or 8-40 VDC.

FIRST OUT FAULTS: ST8 Series

First out fault Tattletale tells you which monitored variable malfunctioned first. The fault is annunciated and locked in until reset by the operator. Applications include process monitoring such as compressors, pumps, generators, etc. Preprinted peel and stick nameplates for common faults are supplied with each unit.



8 First Out

ST8F (flange mount) and **ST8G** (gimbal mount)

- Provides 8-point first out cause of shutdown Tattletale. A flashing LED indicates the cause of shutdown identified by the nameplate.
- Accepts N.O. and/or N.C. contacts.
- Includes SPDT dry contact output rated 2 A @ 28 VDC.
- Selectable sensor lockout for delay on startup.
- Input voltage 8-32 VAC or 8-40 VDC.

GENERATORS: STA16 Series

The STA16 is a multi-functional visual and audible 16-point alarm typically applied as a remote alarm. Its picture frame bezel allows for flush mounting into a control panel or customer supplied wall mounted pull box. Preprinted peel and stick nameplates for all common engine and generator functions allow for generic applications or for NFPA-110 REQUIREMENTS,



16-Points

- **STA16** is a 16-point annunciator for generator sets.
- Provides 16 points of visual and audible alarms including built-in sensing for low battery voltage and battery charger malfunction.
- Accepts N.O. switch inputs
- Negative switch input.

SPECIFICATIONS

Models

Specifications

	ST5AS	ST10AS	ST5DAS	ST8	STA16
Number of Alarm Points					
• 5 Visual	•				
• 10 Visual		•	•		
• 8 First Out Visual				•	
• 16 Visual					•
Audible Alarm					
• 1 local; common to all inputs	•	•	•		•
• 1 local; common to all inputs except battery charger malfunction and generator operating	•	•	•		•
Alarm Silence: Silences audible only	•	•	•		•
Test Push Button: Tests all LED's	•	•	•		•
Alarm Output: Customer supplied relay same voltage as input; coil not to exceed 500 mA.	•	•	•		•
Input Voltage					
• 8-32 VAC / 8-40VDC	•	•	•	•	
• 12 or 24 VDC (specify)					•
Startup Time Delay: Customer selectable: 25-35 seconds	•	•	•	•	
Sensor Input					
• Accepts N.O. positive or negative					•
• Accepts N.O. and/or N.C.	•	•	•	•	
Mounting Options					
• Less Mounting kit	•	•	•	•	
• Flange Mounting kit	•	•	•	•	
• Gimbal Mounting kit	•	•	•	•	
First Out Shutdown: Amber-No; Red-Yes				•	
Shutdown Relay Output: SPDT dry contacts; 2 A @ 28 VDC				•	
Alarm Reset: Repair fault; contacts open					
Shutdown Reset: Repair fault; contacts open; push reset button; remove power				•	
Battery Charger Malfunction: Built-in sensing; visual alarm only					•
Shipping Weights					
• 1.25 lbs (567 g)	•				
• 1.50 lbs (680 g)		•	•	•	
• 2 lbs (907 g)					•
Shipping Dimensions					
• 6-1/4 x 6-1/4 x 6-1/4 in. (159 x 159 x 159 mm)	•	•	•	•	
• 12 x 7-1/2 x 5-1/2 in. (305 x 191 x 140 mm)					•

ACCESSORIES and OPTIONS

TDST3-5 and TDST8-10

TDST3-5 and TD8-10 single point time delays inhibit sensor input to ST Series annunciators for 3-5 or 8-10 seconds. Compensates for momentary contact operation due to vessel movement, etc.

GIMBAL and FLANGE Mounting Kits

These kits are available for change-over mounting and as service parts. They fit all "LM" (less mounting) configurations.

25700007 Gimbal mount kit fits ST5ASLM. **25020138**

25700008 Flange mount kit fits ST5ASLM. **25020139**

25700034 Gimbal mount kit fits ST10ASLM, ST5DASLM and ST8LM. **25020141**

25700371 Flange mount fits ST10ASLM, ST5DASLM and ST8LM. **25020142**

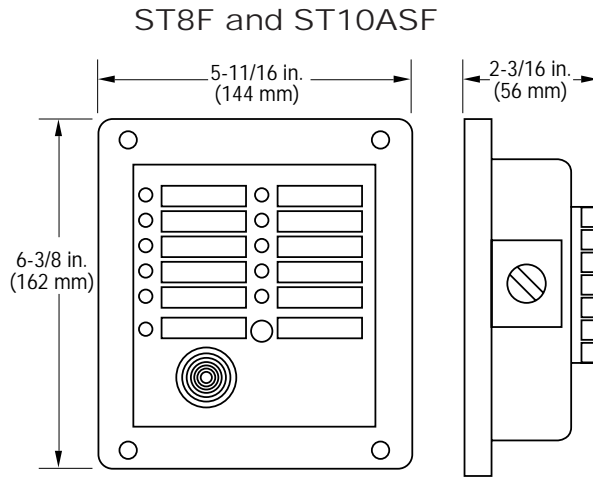
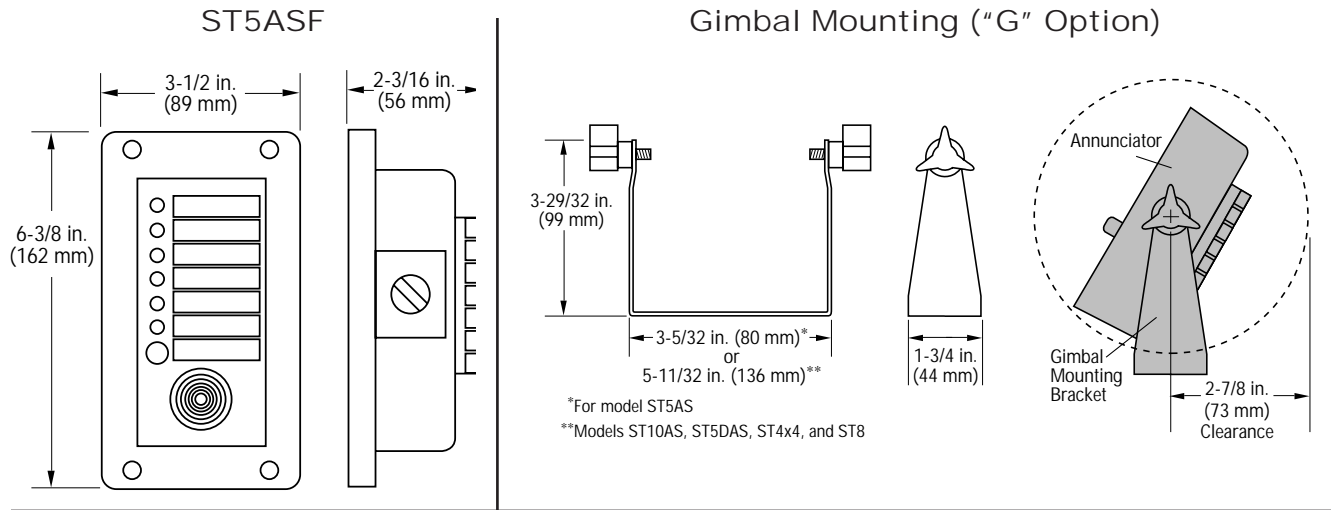
FLANGE Mount



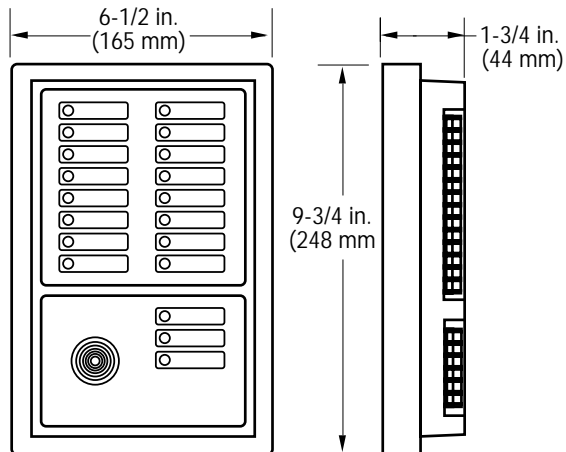
GIMBAL Mount



DIMENSIONS



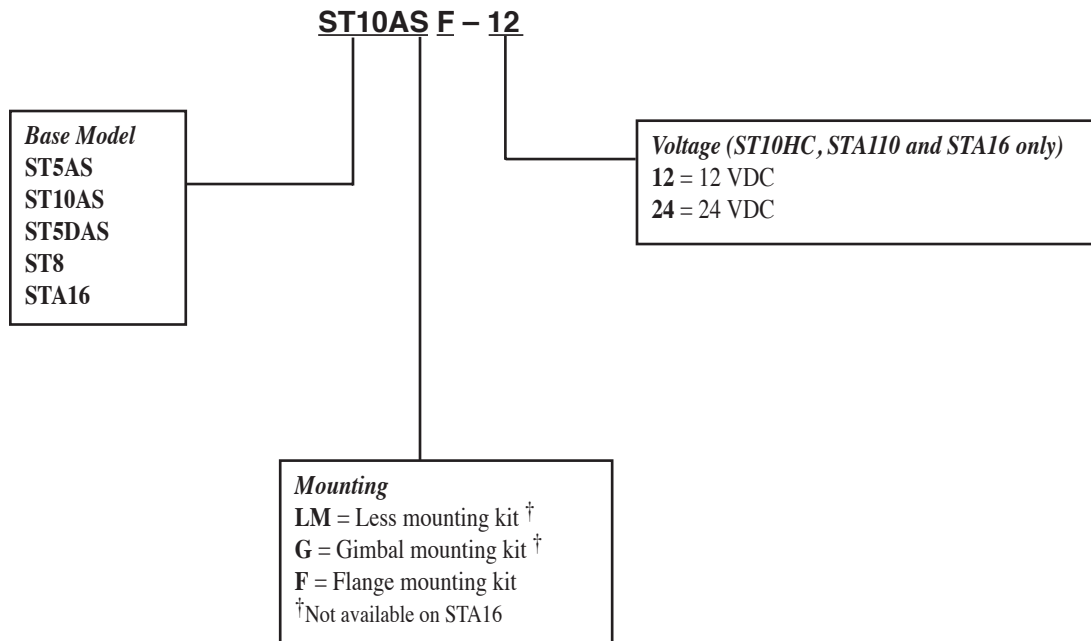
STA16



HOW TO ORDER

Selectronic Tattletale Annunciator

Specify model number using diagram below.



Accessories and Options

Specify part number.

<i>Part Number</i>	<i>Description</i>
TDST3-5	3-5 second time delay
TDST8-10	8-10 second time delay
25700007	Gimbal mount kit; fits ST5ASLM.
25700008	Flange mount kit; fits ST5ASLM.
25700034	Gimbal mount kit; fits ST10ASLM, ST5DASLM, and ST8LM
25700371	Flange mount fits; ST10ASLM, ST5DASLM, and ST8LM.

RJ Mann & Associates Inc.

Engine Controls & Panels/Compressor Parts

860 North 9th Avenue, Brighton, CO 80603

Ph: (303) 659-5139 Fax: (303) 659-5309

www.rjmann.com