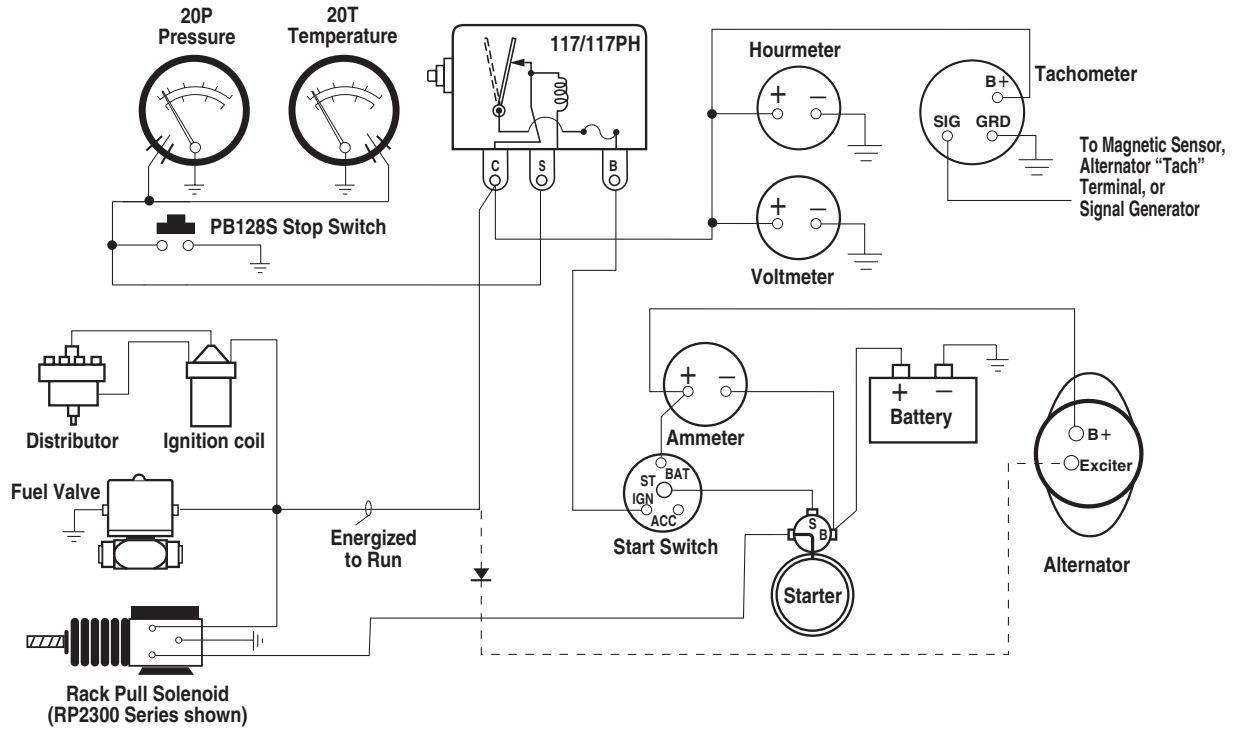


# Typical Wiring Tech Sheet for Magnetic Switches and TATTLETALE® Annunciators

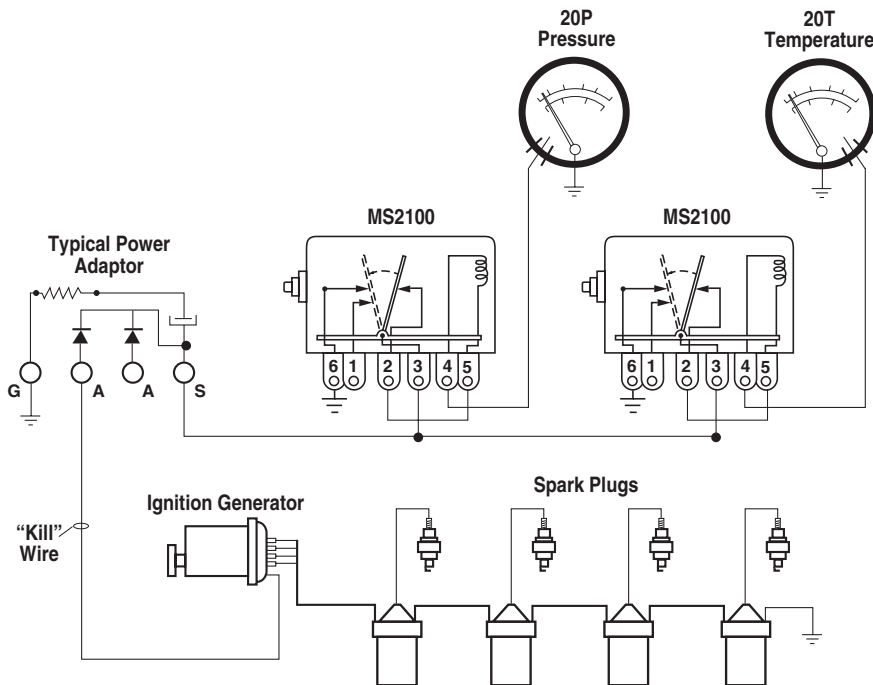
97020B  
Revised 04-08  
Section 25



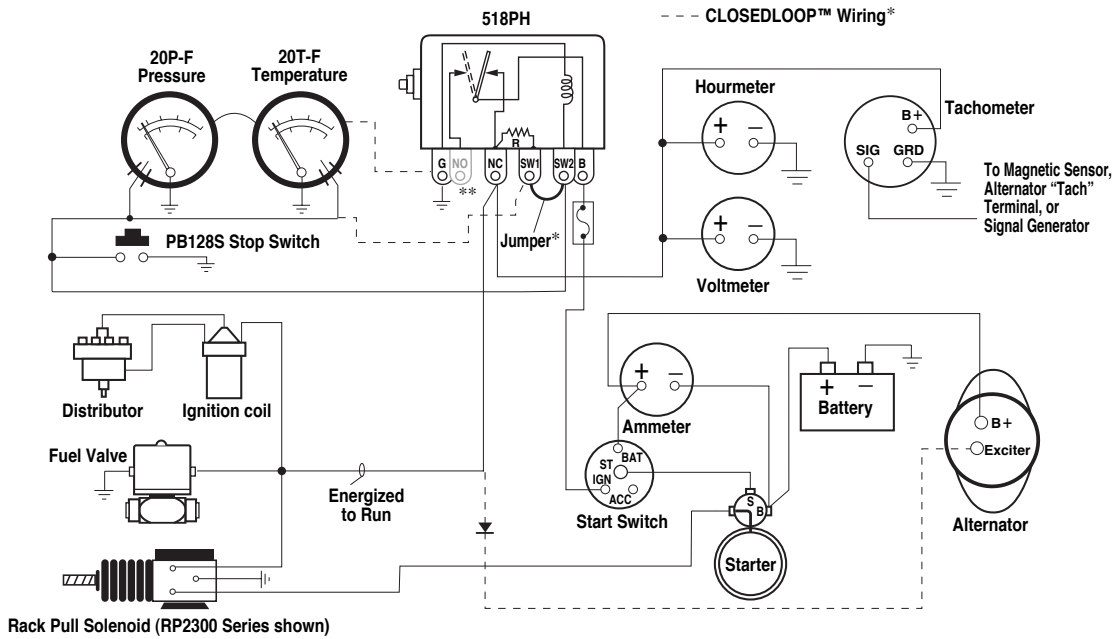
## Typical Wiring Diagram with 117/117PH Magnetic Switch



## Typical Wiring Diagram with MS2100 TATTLETALE®



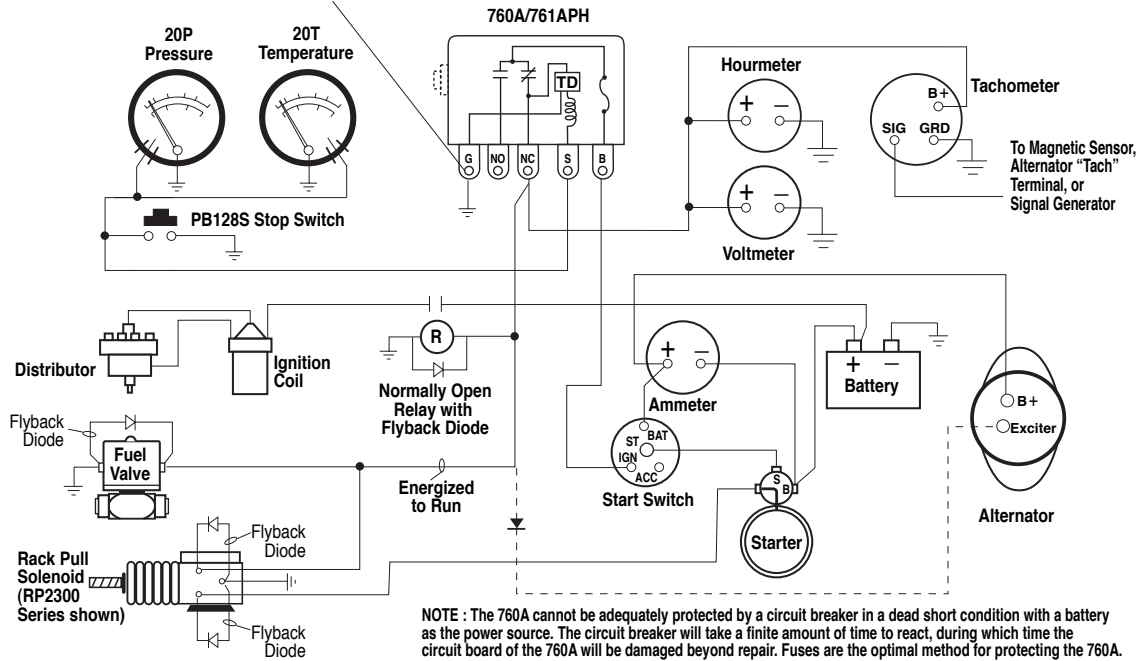
# Typical Wiring with 518PH TATTLETALE®



\*Jumper is to be removed when connecting a CLOSEDLOOP™ circuit.  
 \*\*Normally Opened terminal is available on the 518APH & 518E models.

# Typical Wiring Diagram with 760A and 761APH

With terminal "G" grounded, the time delay operates only on start; after the initial time delay, the shut-down circuit is operated immediately when SWICHGAGE® contact operates. With terminal "G" not grounded, the time delay operates both on start and stop.



NOTE : The 760A cannot be adequately protected by a circuit breaker in a dead short condition with a battery as the power source. The circuit breaker will take a finite amount of time to react, during which time the circuit board of the 760A will be damaged beyond repair. Fuses are the optimal method for protecting the 760A.

**RJ Mann & Associates Inc.**  
 Engine Controls & Panels/Compressor Parts

860 North 9th Avenue, Brighton, CO 80603  
 Ph: (303) 659-5139 Fax: (303) 659-5309  
 www.rjmann.com

