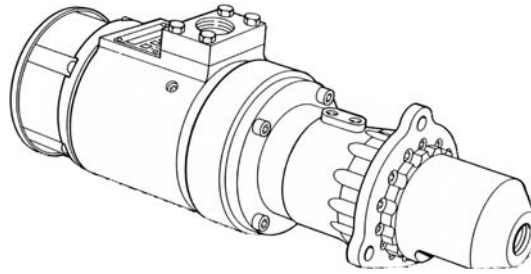


ILLUSTRATED PARTS BREAKDOWN



T50-P **TURBOTWIN AIR STARTER**



IMPORTANT NOTE

The purpose of this illustrated parts breakdown is to provide part number identification of the various components of the listed starters. Only those parts which may be disassembled at the field or repair shop level are broken out and identified. Certain parts or components are "factory only" assemblies, and should not be disassembled below the level shown in this document. Do not disassemble or reassemble the starter without referring to the proper TDI TURBOTWIN service manual. The use of improper procedures, non-authorized replacement parts or incorrect tools, may result in a faulty operating starter which could affect its performance or create a hazardous condition.

TDI TURBOTWIN™

FROM TECH DEVELOPMENT

T50-P ILLUSTRATED PARTS LIST				
ITEM #	DESCRIPTION	PART NUMBER	QTY.	Overhaul Kit T50P-28533-001
1	Nut, Hex Serrated	9-92155-06	1	√
2	Washer, Flat	9-93018-011	2	
3	Plate, Baffle	2-20192	1	
4	Screw	14F-25020-014	4	
5	Housing, Exhaust Cover	2-28369	1	
6	Bushing	9-91436	1	
7	Spring, Compression	9-90408-016	1	
8	Post	2-27223	1	
9	Exhaust Support	2-27475	1	
10	Exhaust Guard	2-28380	1	
11	Screw, Rotor Attachment	14F-25028-012	1	√
12	Rotor Washer	9-93047	1	
13	Stage 2 Rotor	2-28410	1	
14	Square Key (1/8")	9-90220-050	2	
15	Turbine Bearing	9-91224	2	√
16	Bearing Pre-Load Spring	9-90439	2	√
17	Spacer / Labyrinth	2-28445	1	√
18	Screw	71F-31218-020	4	
19	Inlet Flange	2-28593	1	
20	O-Ring	9-90001-031	1	√
21	Containment, Nozzle 2, RH	2-28359-00R	1	
21	Containment, Nozzle 2, LH	2-28359-00L	1	
22	Hollow Hex Plug	9-93501-002	1	
23	Stage 1 Rotor	2-27225	1	
24	Spacer/Labyrinth	2-28444	1	√
25	O-Ring	9-90001-047	1	√
26	Turbine Hsg. / Stage 1 (8 Noz. RH)	2-28354-08R	1	
26	Turbine Hsg. / Stage 1 (8 Noz. LH)	2-28354-08L	1	
26	Turbine Hsg. / Stage 1 (10 Noz. RH)	2-28354-10R	1	
26	Turbine Hsg. / Stage 1 (10 Noz. LH)	2-28354-10L	1	
26	Turbine Hsg. / Stage 1 (14 Noz. RH)	2-28354-14R	1	
26	Turbine Hsg. / Stage 1 (14 Noz. LH)	2-28354-14L	1	
27	Bearing Retainer	2-28446	1	
28	Screw	71F-25020-012	3	√
29	Turbine Shaft 11.2:1)	2-28339	1	
30	O-Ring	9-90001-047	2	√
31	Ring Gear	2-28430	1	

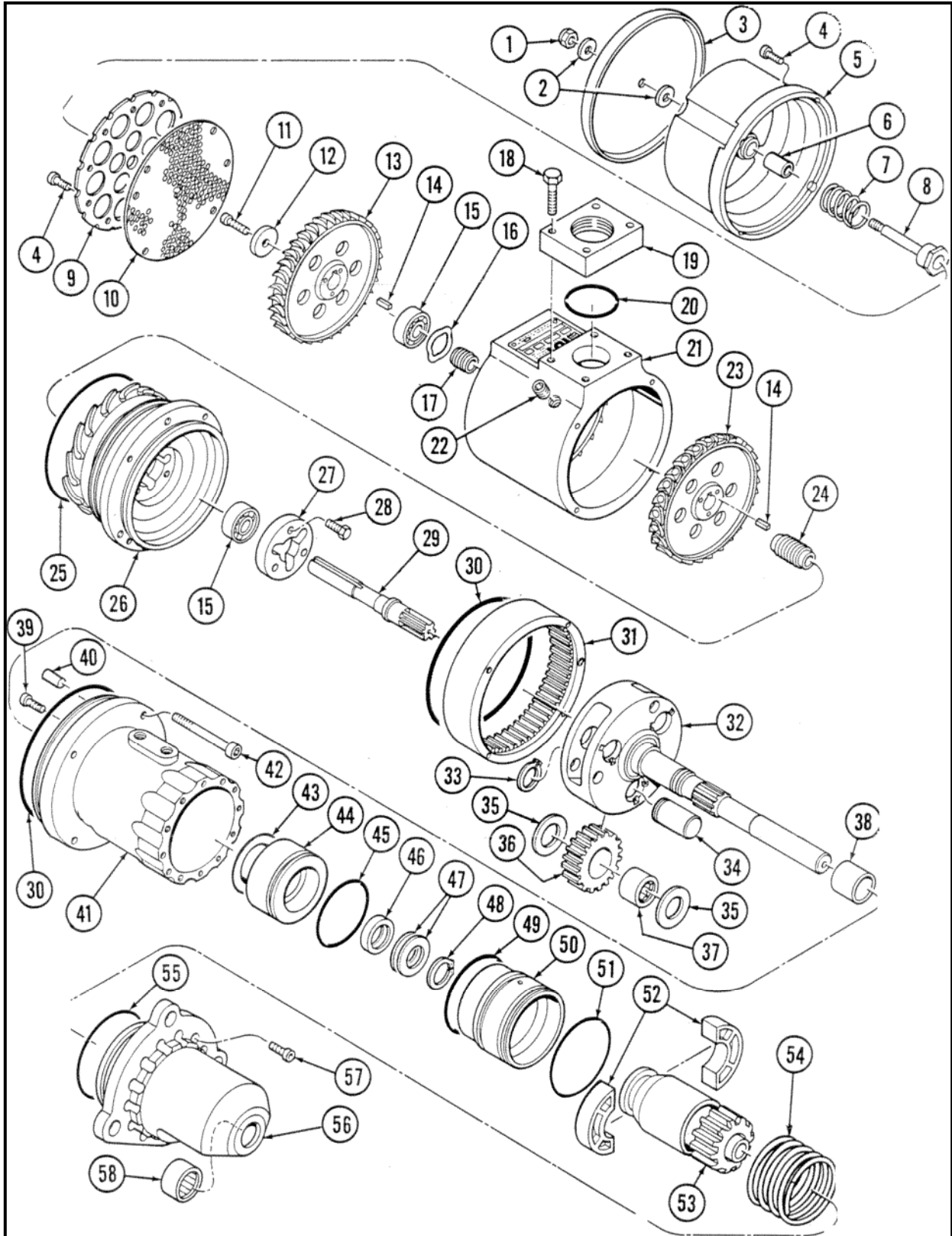
TDI TURBOTWIN™

FROM TECH DEVELOPMENT

ITEM #	DESCRIPTION	PART NUMBER	QTY.	Overhaul Kit T50P-28533-001
32	Carrier Shaft Assembly	2-28358	1	
33	Retaining Ring	9-92001-001	3	
34	Planet Shaft	2P-20182	3	
35	Planet Gear Spacer	9-93004	6	√
36	Planet Gear (11.2:1)	2-28316	3	
37	Planet Bearing	9-91004-001	3	√
38	Gearbox Bearing	9-91405	1	√
39	Screw	14F-19024-012	4	√
40	Dowel Pin	9-91502-007	1	
41	Gearbox Housing	2-28352	1	
42	Screw	14F-25020-044	4	√
43	O-Ring	9-90001-035	1	√
44	Bearing Hub	2-24114	1	
45	O-Ring	9-90002-331	1	√
46	Lip Seal	2-23810	1	√
47	Thrust Washers	9-93085	2	√
48	Retaining Ring	9-92001-025	1	√
49	O-Ring	9-90002-336	1	√
50	Pre-engage Piston	2-24644-001	1	
51	O-Ring	9-90002-234	1	√
52	Split Rings	2-23419	2	√
53	Code 01 - 6/8P, 11T, RH	2-22954	1	
53	Code 01 - 6/8P, 11T, LH	2-22956	1	
54	Return Spring	9-90422	1	
55	O-Ring	9-90001-041	1	√
56	Drive Housing (6/8P)	2-24127-007	1	
57	Screw	14F-25020-012	12	√
58	Nose Bearing (6/8P)	9-91408	1	√

TDI **TURBOTWIN**TM

FROM TECH DEVELOPMENT



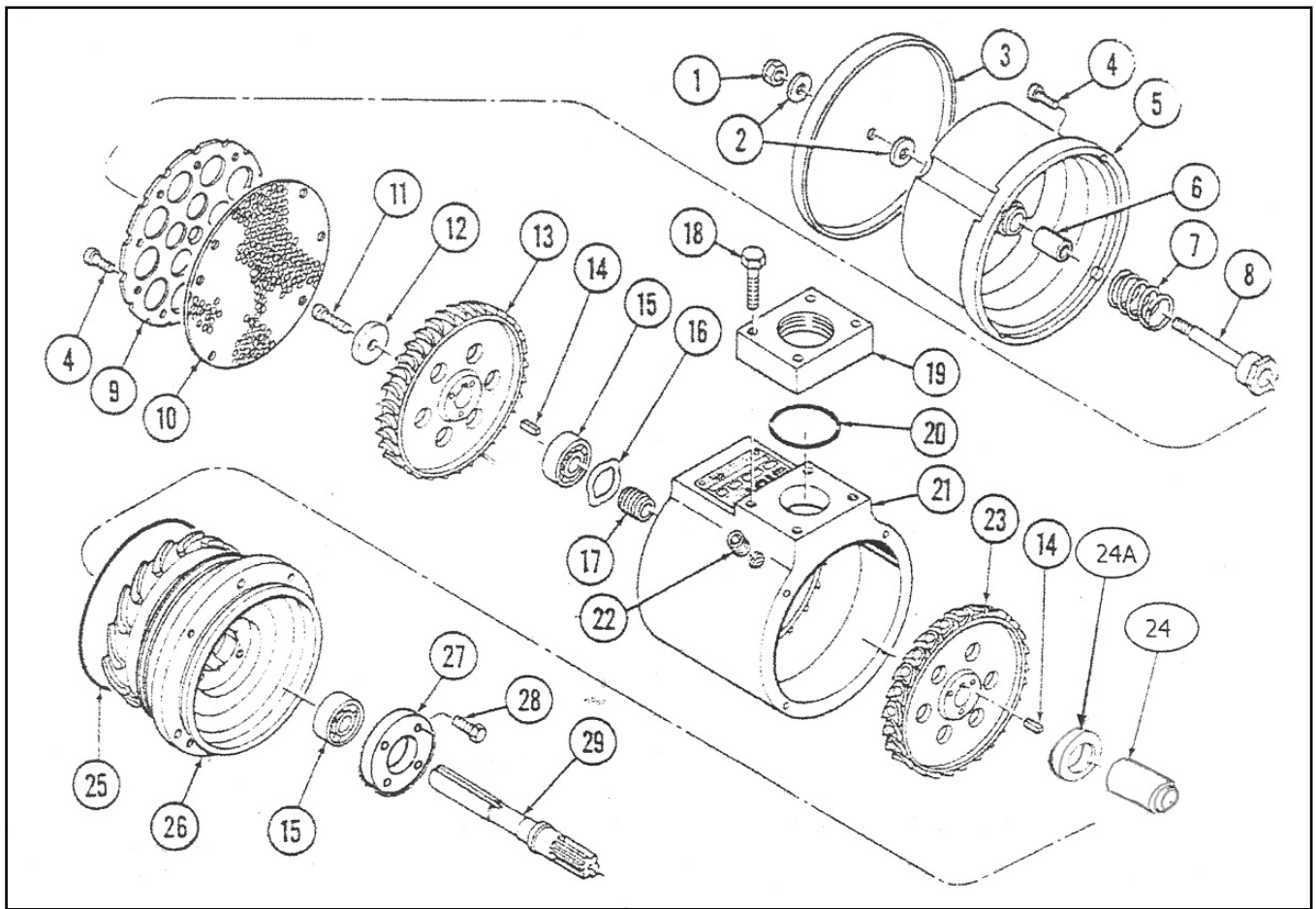
Exploded View of Model T50-P **TURBOTWIN** Air Starter

TDI TURBOTWIN™

FROM TECH DEVELOPMENT

T50-P TURBINE ASSEMBLY (effective serial #: 0610-0994)

ITEM #	DESCRIPTION	PART NUMBER	QTY	Overhaul Kit T50P-28533-001
24	Bearing Spacer	9-93114	1	√
24A	Lip Seal	2-26719	1	√
26	Turbine Hsg. / Stage 1 (8 Noz. RH)	2-28354-08R	1	
26	Turbine Hsg. / Stage 1 (8 Noz. LH)	2-28354-08L	1	
26	Turbine Hsg. / Stage 1 (10 Noz. RH)	2-28354-10R	1	
26	Turbine Hsg. / Stage 1 (10 Noz. LH)	2-28354-10L	1	
26	Turbine Hsg. / Stage 1 (14 Noz. RH)	2-28354-14R	1	
26	Turbine Hsg. / Stage 1 (14 Noz. LH)	2-28354-14L	1	
27	Bearing Retainer	2-27406	1	
28	Screw	71F-25020-012	4	√



Model T50-P Turbine Assembly Configured for Air & Natural Gas
(Effective serial #: 0610-0994)