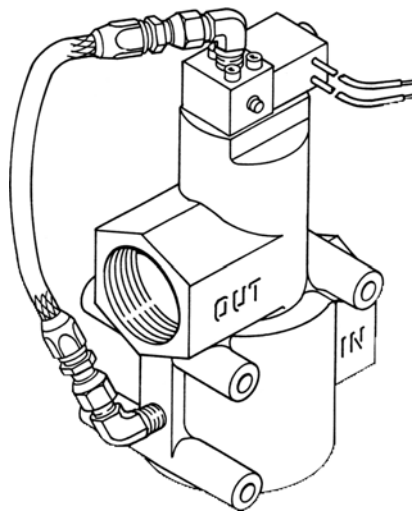


ILLUSTRATED PARTS BREAKDOWN



TURBO VALVE (Electrically Controlled)

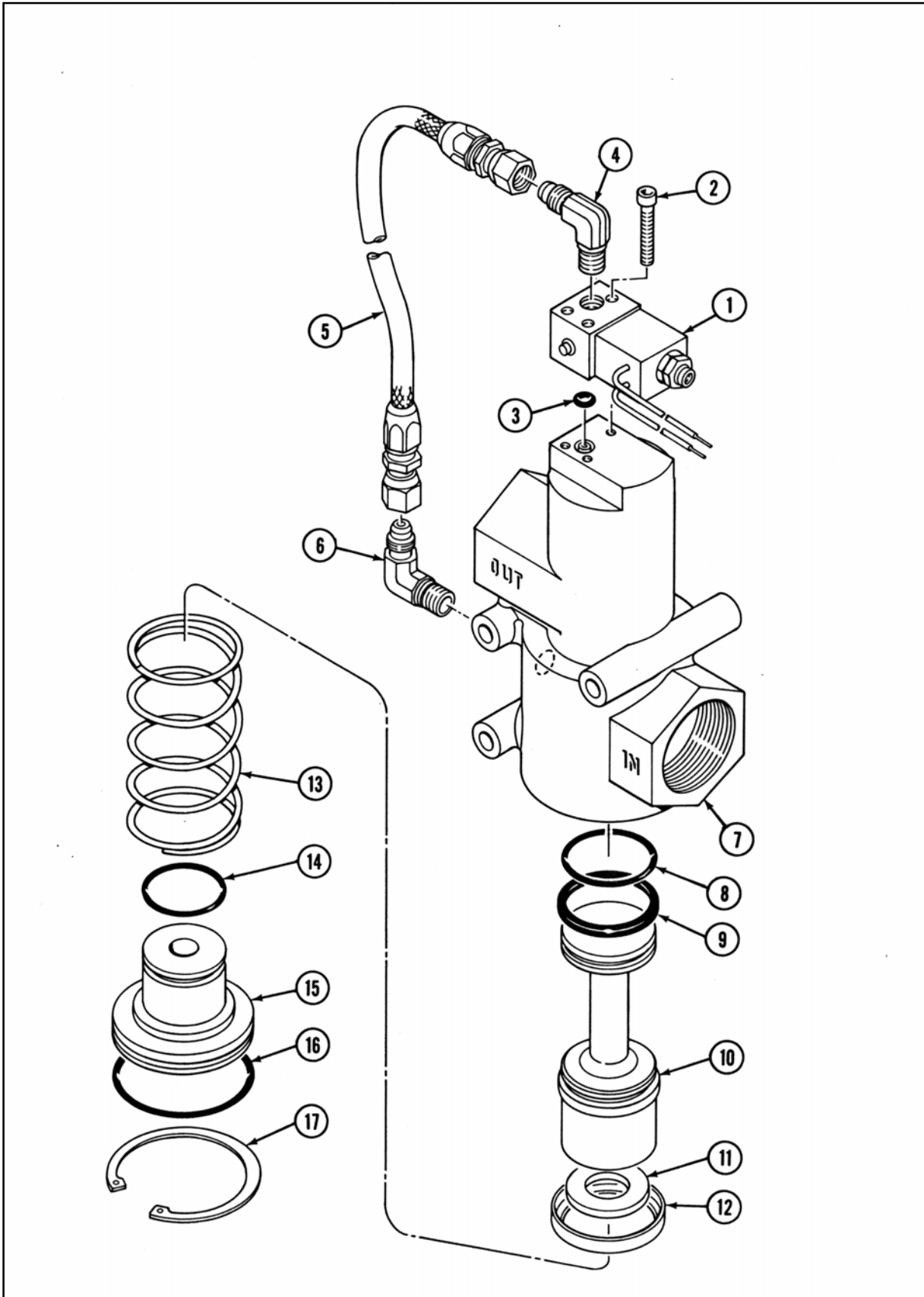
AN 01-455

RJ Mann & Associates Inc.
Engine Controls & Panels/Compressor Parts
860 North 9th Avenue, Brighton, CO 80603
Ph: (303) 659-5139 Fax: (303) 659-5309
www.rjmann.com

TOP ASSEMBLY PART NUMBERS COVERED IN THIS PUBLICATION

PART NUMBER	IN PORT	OUT PORT	O-RINGS	VOLTAGE	VALVE P/N	OVERHAUL KIT
RLVA-25683-012-1	1 ¼"	1 ¼"	Buna-N	12 VDC	2-26324-001	2-26119-001
RLVA-25683-012-2	1 ¼"	1 ¼"	Viton	12 VDC	2-26324-001	2-26119-002
RLVA-25683-012-1-01	1 ½"	1 ½"	Buna-N	12 VDC	2-26324-001	2-26119-001
RLVA-25683-012-2-01	1 ½"	1 ½"	Viton	12 VDC	2-26324-001	2-26119-002
RLVA-25683-024-1	1 ¼"	1 ¼"	Buna-N	24 VDC	2-26324-010	2-26119-001
RLVA-25683-024-2	1 ¼"	1 ¼"	Viton	24 VDC	2-26324-010	2-26119-002
RLVA-25683-024-1-01	1 ½"	1 ½"	Buna-N	24 VDC	2-26324-010	2-26119-001
RLVA-25683-024-2-01	1 ½"	1 ½"	Viton	24 VDC	2-26324-010	2-26119-002
RLVA-25683-110-2-01	1 ½"	1 ½"	Viton	110 VDC	2-26324-003	2-26119-002
RLVA-25683-120-2-01	1 ½"	1 ½"	Viton	120 VAC	2-26324-004	2-26119-002

KEY NO.	DESCRIPTION	PART NUMBER
1	Valve (12VDC)	2-26324-001
2	Screw (3)	11F-19024-020
3	O-Ring, Buna - N	9-90001-010
3	O-Ring, Viton	9-90002-010
4	Elbow, 90° Male	9-93565-001
5	Hose Assembly	1P-23448-001
6	Elbow, 90° Male	9-93565-002
7	Housing, Relay Valve (1 ¼" NPT)	2-25692
7	Housing, Relay Valve (1 ½" NPT)	2-25692-001
8	O-Ring, Buna - N	9-90001-221
8	O-Ring, Viton	9-90002-221
9	O-Ring, Buna - N	9-90031-324
9	O-Ring, Viton	9-90030-324
10	Piston	2-25694
11	Dampener, Shock	2-25107
12	Cap, O-Ring	2-25106
13	Spring, Compression	9-90435
14	O-Ring, Buna - N	9-90001-218
14	O-Ring, Viton	9-90002-218
15	End Cap	2-25693
16	O-Ring, Buna - N	9-90001-035
16	O-Ring, Viton	9-90002-035
17	Ring, Retaining	9-92001-016



EXPLODED VIEW OF TURBOVALVE (Electrically Controlled)