

# Time Switches

## Models 5T, 15T, 12T and 24T

## 12 or 24 Hour and 5 or 15 Minute



### ■ Two Versions Available:

1. Hour Switch for Setting Run Time and Shutdown of Equipment
2. Minute Switch for a Short Interruption of SWICHGAGE® Circuits on Test or Start-up

### ■ Spring Wound, No Electric Power Required

### ■ Precision Movement Can Be Set to Zero at Any Time

### ■ Built-in Stop Prevents Overwinding

## Description

Murphy Time Switches can automatically start or stop engines or electrical motors after a pre-determined time. These time switches can be wired for an open or closed circuit when time expires. They require no electrical current to operate and have an SPDT contact arrangement. These switches feature a precision movement that gives years of reliable service. A built-in stop prevents overwinding.

The 12T (12 hour) and 24T (24 hour) time switches are enclosed in a NEMA 4 weather-proof enclosure. A hinged, gasketed cover and 1/2 NPT conduit connection allow for a dust-tight installation. The enclosure includes a clasp and eye for padlock to prevent unauthorized operation. Instructions for popular engine applications are secured inside of the lid.

The 5T (5 minute) and 15T (15 minute) timers mount directly in control panels for short range timing with manual reset. These switches are perfect for disconnecting shutdown circuits while equipment is being started.

## Applications

Murphy Time Switches are designed for use in the oil field, irrigation systems or anywhere equipment must operate or be controlled for a predetermined time. Mounted on a post or in a panel away from vibration and shock, these time switches give accurate, long term service.

## Specifications

### Range

- 12T: 0-12 hours in 15 minute intervals.
- 24T: 0-24 hours in 30 minute intervals.
- 5T: 0-5 minutes.
- 15T: 0-15 minutes.

**Contact (all models):** SPDT, rated 5 A @ 480 VAC; 10 A @ 250 VAC; 15 A @ 48 VDC.

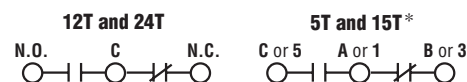
### Shipping Weight

- 12T, 24T: 4 lbs. 12 oz. (2.15 kg).
- 5T and 15T: 6 oz. (11.66 g).

### Shipping Dimensions

- 12T, 24T: 9-1/4 x 8-1/4 x 5-1/2 in. (235 x 210 x 140 mm).
- 5T and 15T: 3 x 2-3/4 x 2-3/4 in. (76 x 70 x 70 mm).

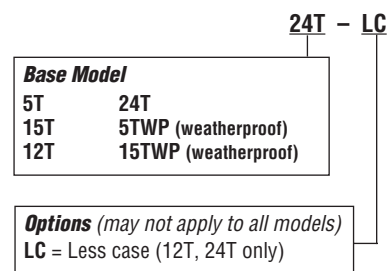
## Electrical



\*Wire terminals will vary. Models with screw terminals will have alpha letters. Models with 1/4 inch (6 mm) blade terminals will have numbers.

## How to Order

To order time switches, specify as follows:

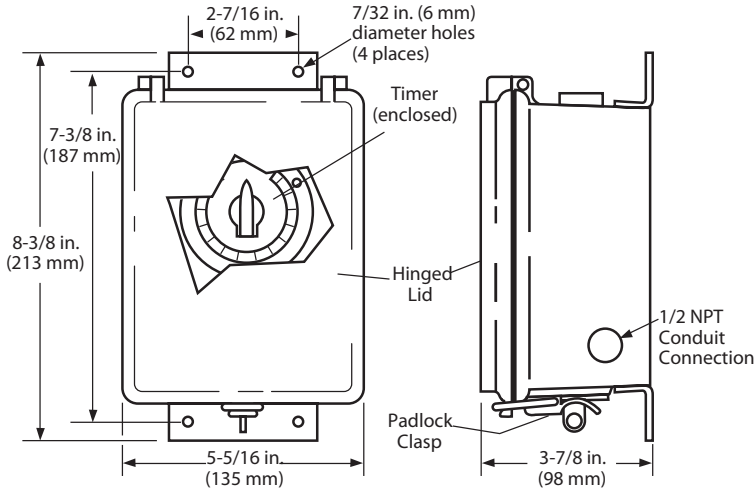


## Warranty

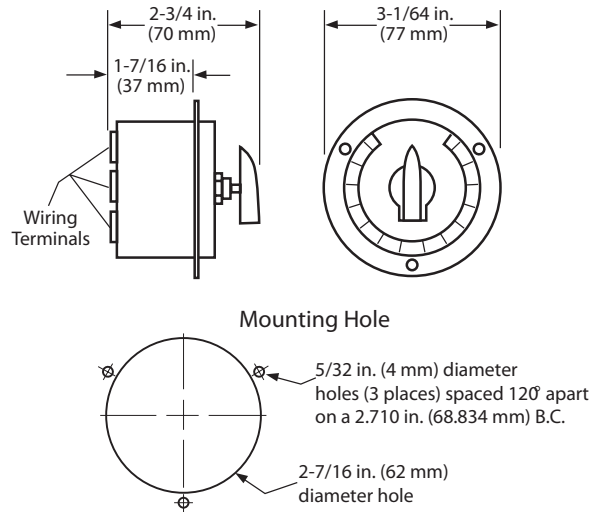
A limited warranty on materials and workmanship is given with this FW Murphy product. A copy of the warranty may be viewed or printed by going to [www.fwmurphy.com/support/warranty.htm](http://www.fwmurphy.com/support/warranty.htm)

# Dimensions


## 12T and 24T 5TWP and 15TWP



## 5T and 15T



# Typical Wiring Diagrams

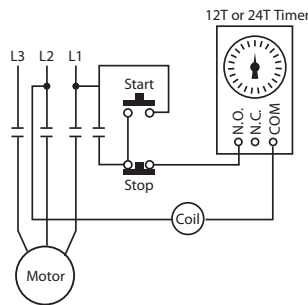


## WARNING

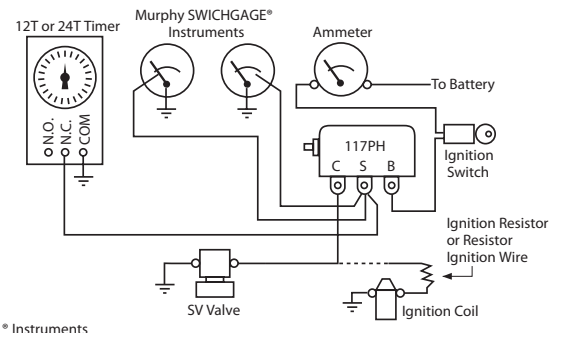
Before beginning installation of this Murphy product:

- ✓ Disconnect all electrical power to the machine.
- ✓ Make sure the machine cannot operate during installation.
- ✓ Follow all safety warnings of the machine manufacturer.
- ✓ Read and follow all installation instructions.

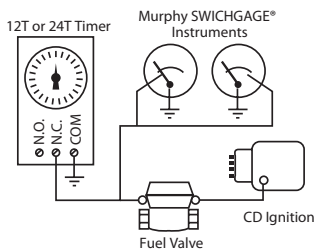
### Electric Motor



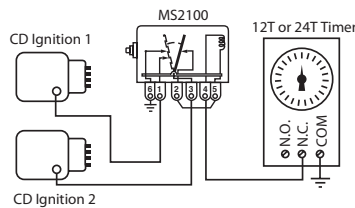
### Diesel Engine



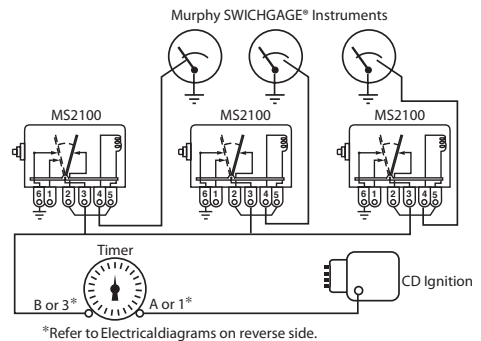
### Fuel Valve and CD Ignition



### Dual CD Ignition



### SWICHGAGE® Circuit Disconnect (5T and 15T)



**RJ Mann & Associates Inc.**  
*Engine Controls & Panels/Compressor Parts*

860 North 9th Avenue, Brighton, CO 80603  
 Ph: (303) 659-5139 Fax: (303) 659-5309  
[www.rjmann.com](http://www.rjmann.com)



USA-ISO 9001:2000 FM 28221  
 UK-ISO 9001:2000 FM 29422